



USECA EXPRESS



Michigan's Largest and Most Active Amateur Radio Club

UTICA SHELBY EMERGENCY COMMUNICATION ASSOCIATION, INC.

Volume 22, Number 3, March 2006

From The Desk Of The President

Chuck, N8ZA

GREETINGS FROM your new president, Chuck, N8ZA. I am looking forward to this coming year. USECA is a happening club, with events going on all the time. By the time you read this, the annual FYBO contest is over. If you missed it, you missed out on a good thing. However, there are many more events to come.

We have the annual Pre-Field Day picnic on May 13. USECA's Pre-Field Day is larger than many other club's actual Field Days, in terms of attendance and radio stations. Plan to come out and join in the fun. After that, and before you know it, it will be time for Field Day itself. If you have never been to one of our Field Days, you have been truly missing out. Hope to see you THIS year. Plan to enjoy the party with the fantastic QRM band on Friday night, set up towers, work a station, help out in the kitchen, get tired, but have a blast. Spend as much time as you can at the field day site. Remember, June 23, 24 and 25 is Field Day weekend.

We also have what we call, "Larks in the Park" in the summer, usually at Metro Beach Park. We set up antennas and radio stations, experiment with antenna designs, and enjoy the company of fellow hams and friends.

Prior to our general meetings on the second Tuesday of the month, we hold a fox hunt. This starts at 6 pm and runs until 7. Don't forget the "eat before you meet." For a small fee, we provide a good meal. After the general meetings, there is usually an interesting program. The unofficial "meeting after the meeting" in the Elk's lounge is often well attended and the discussions are always interesting.

—Continued on Page 8

USECA NEWS

The Official 2006 USECA Roster will not be in the Express, or on our web page.

The Roster will be mailed to all current members effective February 14, 2006.

Eat B 4 U Meet

March's menu, and of course for a small nominal fee, we will serve KC8ZJR'S famous Pulled Pork Sandwich, with at this time an undetermined side dish, starting at 6:00 PM.

Note: I would like to thank, again, all the members who are attending the meetings for parking in the back section of the parking. At the request of the Elks, they would like to keep the front part open as much as possible for the Euchre players during the winter months.

Dennis
W8Dah Food Guy

What Do You Offer USECA?

Keith, N8EB

AS I SIT HERE and write this I am a week or two shy of 1 year with my tech ticket and as a member of USECA. When I joined a year ago I thought to myself "THIS is the club that is going offer me the most" – and for the most part I was right.

I have met a lot of great people in USECA that have really helped me out – many people helped me install my HF wire loop antenna, especially our fearless leader Chuck, N8ZA. I only helped put up my own HF antenna – didn't know much – so I went to at least 5 other "antenna parties" which taught me a lot.

I also wanted to learn about "effective communication", and Jim, W1IK helped me get a week as NCO on the Trader's Net – now I look forward to my week each month (2nd Sunday each month).

Going to 6 or 7 of the famous USECA "Lark in the Parks" showed me many ways to set up a quick antenna and a rig on a car battery can be amazing fun.

Last summer when we started the monthly USECA fox hunt, I really enjoyed it – so I volunteered to be the monthly fox. I am out at 6:00 each month before the meeting.

This past fall I was one of the club members asking questions about digital communications, and jumped in when the USECA Digital Activities Night – I haven't missed one yet.

By the time you read this the FYBO QRP contest will be over, and with any luck Brad, N8VI and I will have made a ton of contacts.

—Continued on Page 8

Next Meeting — March 14

CLUB DIRECTORY

BOARD OF DIRECTORS

President	Chuck Perushek/N8ZA (586) 557-4983
Vice President	Brad Tarratt/N8VI (248) 506-7609
Recording Secretary	Ann Manor/KT8F (586) 751-3893
Treasurer	Dennis Gaboury/W8DFG (586) 465-7126
Membership Secretary	Ken Cassale/KW8Z (586) 552-8311
Board Member	Walt Gracey/WB8E (586) 777-2954
Board Member	Phil Manor/W8IC (586) 751-3893
Board Member	Joe Kennedy/N8OZ (586) 977-7222
Past President	Jim Wickstrom/W11K (586) 771-4135

COMMITTEES

ARRL Liaison	Dave/W8RIT (810) 765-3745
Awards Manager	Chris/KV8Z
Door Prizes	—OPEN—
Editor	Joe/K8OEF (586) 781-0050
Field Day Chair	Phil/W8IC & Ann/KT8F (586) 751-3893
Health & Welfare	Walt/WB8E (586) 777-2954
Historian	Jerry/K8CFY (586) 791-4484
Liaison	Dave/KC8TTO
Mails/Sorters	Ann/KT8F; Phil/W8IC; & Crew
Net Manager	Brian/KC8DIR (586) 749-4561
Photographer	—OPEN—
Program Director	Brad/N8VI (248) 506-7609
Public Relations Officer	Ken/N8KC (248) 652-1187
Refreshments	Walt/WB8E and Richard/KC8HMJ
Repeater Trustee	Dennis/W8DFG (586) 465-7126
Swap Director	Scott/WN1B (248) 628-4756
Swap Team	Dave/W8RIT; Tom, KD8AVF
Technical Director	Floyd/W8RO (248) 391-6660
Technicians	WN1B; W8IC; K8FT; WA8GQL; KC8IAQ; W11K; AD8S; N8SA
VE Testing	Joe/N8OZ (586) 977-7222
Webmaster	Brad/N8VI (248) 506-7609

CONTROL OPERATORS (*Phone Number Above)

Scott/WN1B	Phil/W8IC*	Joe/N8OZ*
Dennis/W8DFG*	Jim/W11K*	Floyd/W8RO*
Dave/KC8IAQ	Joe/K8OEF*	

PROGRAMMERS

Dennis/W8DFG	Dave/KC8IAQ
--------------	-------------

Michigan's . . .

BEST-IN-CLASS!

The Editor is:

Still Going

Joe, K8OEF

Great News! On January 27 it was reported that ALL remote sites are up and running, including the NEW downtown Detroit site. Minor tweaks are forthcoming at the Waterford and Mt. Clemens sites—we're almost there!

It's amazing . . . listening to the repeater on weekday mornings (around 6 a.m.) the number of users who are not members. Then again, there are those members who never use the repeater—sounds like this scenario should be reversed. If anyone can come up with a remedy for this situation, please address it to our Board.

73 for now.

Inside This Issue

From The Desk of The President.....	1
Eat B 4 U Meet.....	1
What Do You Offer USECA.....	1
Still Going.....	2
Okay Fastest Code Operator, Ever	2
Rig Safety.....	3
Iambic Keying.....	3
Internet Finds.....	4
USECA Meeting Minutes.....	5
Soup Up Your Signal.....	6
SKYWARN 2006 Class Schedule.....	7
USECA Club Liaison.....	8
USECA VE Testing.....	9
USECA Apparel.....	9
USECA Net Point System.....	9
USECA Cork Board.....	10
USECA Membership Application.....	11
Local Area FM and HF Nets.....	11
Net Ops Schedule.....	11
Club Activities (Cover)	
Name Badges (Cover)	

Okay, who was the fastest code operator, ever?

By Roger Wendell, WB0JNR

I PUT THAT question to my friend Marshall Emm, N1FN, who runs the world's best key and keyer shop (www.MorseX.com). Marshall provided, from memory, some tidbits from the Theodore McElroy legend:

"Ted McElroy started manufacturing keys in 1934. McElroy was a master of both American and International Morse code and he promoted telegraphy most of his life, first as a

telegrapher and later as a manufacturer of keys, bugs, and related equipment.

"By age 15, McElroy was a leading telegrapher (Wirechief) for Western Union. In 1922, he won the world championship in Asheville, NC by copying code at 56.5 WPM. That record was beaten in 1934. So, he went back the following year (1935) and beat the world record again. On

July 2, 1939, McElroy broke the world record code speed at 75.2 WPM, which remains unsurpassed today. For the record, there is an individual ham radio operator who claims to have beaten it, on the basis that 75.2 wpm in 1939 currency is only worth about 65 wpm today.

—Continued on Page 6

Rig Safety

By Dick Arnold, AF8X

IF YOU LISTEN to the USECA repeater, you have probably heard of the problem Paul, AA8OZ, has had with his Elecraft K1. Paul uses a wire antenna held aloft by a kite and he recently had a problem caused by a static build-up on the antenna that zapped one of the components in his rig. After repairs were made Paul installed a 1K resistor across the antenna terminals in the radio to drain any static build up on the antenna.

When Paul told me about this I thought my rigs should also be pro-

tected as I also operate portable using wire antennas with no protection.

A little research told me that resistors between 1K and 10K would make a suitable drain resistor without affecting receive or transmit modes. I thought that I could install the resistor outboard of the radio and not have to find room in the innards.

I looked through my junk box and found a 2.2K resistor and a T-adaptor. I turned on the solder station and soldered the resistor from the center

jack to the shell effectively bridging the antenna connections with the 2.2K resistor. For the K1 and KX-1 I needed an additional adaptor to adapt the SO239 to the BNC antenna connection on the rigs.

Now when connected to a random wire or available flagpole, I can be sure my rigs are protected from a static build up from either wind or nearby storm activity.

Iambic Keying

By Dick Arnold, AF8X

USUALLY when the new ham masters the straight key, the next thing he buys is an electronic keyer and a paddle. There are many of both on the market, but a little thought should be given as to how they are to be used and your preferences.

Paddles: there are two types of paddles, single paddle and double paddles. Most of us would choose the double paddle. The differences in the double paddles beside the appearance are the mechanics and "feel" of the device. Some paddles like the Vibroplex have a solid heavy feel and some like the Bencher have a more delicate feel. I prefer the latter type, adjusted for a very light touch.

Next the choice of electronic keyers. There are plain Jane keyers and there are the more sophisticated (and expensive) Memory keyers suitable for contesting.

Electronic keyers will emit an alternating stream of dits and dahs if both paddles are squeezed and depending on which is squeezed first will either

send ditdahditdahditdah....(dit paddle squeezed first) or dahditdahditdahdit (dah paddle squeezed first)

Mode A-- Mode B: Some keyers give you a choice of mode A or B; some only have one or the other. The differences: The difference between mode A and B lies in what the keyer does when both paddles are released. The mode A keyer completes the element being sent when the paddles are released. The mode B keyer sends an additional element opposite to the one being sent when the paddles are released.

Example: You can tell the basic difference between the modes with the letter C.

In mode A, you could squeeze both paddles (dah before dit) and you would let go of both after hearing the last dit. With mode B, you start the same but let go of both paddles after hearing the second dah.

I choose mode B, but some people never get used to it. I like it because it makes sending certain letters eas-

ier for me. Sending CQ uses a character insertion. The letter C is sent by holding the dah paddle and then holding the dit paddle until you hear the complete character then the Q is formed by holding the dah paddle and tapping the dit paddle and then releasing both.

To learn Iambic keying to the point where it becomes an unconscious effort, start slow, learning one letter at a time. Start with the letter K; hold the dah paddle- tap the dit paddle and release. When that becomes natural, try the letter R, sent just the opposite. Hold the dit and tap the dah paddles and release. With some practice it will become second nature to you and the only time you will even notice it is if you use another keyer that is programmed for mode A.

Whichever mode you decide on will take a bit of practice to become second nature, but worth it.

Internet Finds!

Thanks to Gulliver, WA8VIJ

A website that shows what hams live around you.
<http://www.vanityhq.com/maps/enterzip.html>

On the left-hand columns, look for N4MC's Ham Locator; click on it; type in the zip code and it will map-out all hams in that zip code. Then click on the map pins and . . . surprise!

[One of my favorites—Ed.]

Thanks to Bill, N8SA

Military Surplus Dealers

<http://pacificsites.com/~brooke/MSD.shtml>

USECA Meeting Minutes

Board Meeting—February 7, 2006

In attendance:

N8ZA, Chuck	President
N8VI, Brad	Vice-President
*KT8F, Ann	Recording Secretary
KW8Z, Ken	Membership Secretary
W8DFG, Dennis	Treasurer
WB8E, Walt	Board Member
*W8IC, Phil	Board Member
N8OZ, Joe	Board Member
W1IK, Jim	Past President
*Absent	



Meeting called to order by the President at: 7:32 PM.

Motion made to accept the minutes as printed in the Express made by Walt, WB8E and 2nd by Dennis, W8DFG, motion carried.

Treasurer's report given by Dennis, W8DFG. Motion to approve made by Joe, N8OZ and 2nd by Brad, N8VI, motion carried.

Membership: Ken, KW8Z: Ken reported that we have 131 members.

Technical report: Dennis, W8DFG gave the report in absence of the Technical Director. The South site has been installed and is up and running with no problems. The Mt. Clemens site has been worked on and no longer has a problem with the 200 repeater. At the current time the site is down, but as soon as an adjustment is made at the main site on the voter, it will be brought back on line.

Website: Brad, N8VI reported that the stream for the archives is down.

Express: Joe, K8OEF - No Report

Health & Welfare: Walt, WB8E Walt reported that all cards that had to be sent, Charlene has taken care of the mailing.

Swap: Tom, KD8AVF made a report that the committee is formed and in place

Old Business

None.

New Business

Blake, KC8PQA made a presentation on PSA's that he acquired from the ARRL and at the current time he has the Public announcement running on a half a dozen cable companies running these spots. Would like to do something of the same nature for Field Day and Swap.

Dennis, W8DFG brought up about how we were going to send out the Membership Roster to all paid up 2006 members. It was decided to mail Roster out under separate cover.

Dennis also brought up Field Day shirts. We need to get a jump on the shirts this year. After discussion Keith, N8EB volunteered to head this project, Walt, WB8E volunteered to assist him on this project.

Brian, KC8DIR stated that he has equipment stored in his garage and would like the Tech Committee to make a move on doing something with what is there. He would like his space back by June 1st.

Motion made by Jim, W1IK, seconded by Joe, N8OZ to adjourn the meeting. Motion carried, meeting closed at 8:33 PM.

Respectfully submitted,
Dennis, W8DFG
Acting Recording Secretary



General Meeting—February 14, 2006

In attendance:

N8ZA, Chuck	President
N8VI, Brad	Vice-President
*KT8F, Ann	Recording Secretary
KW8Z, Ken	Membership Secretary
W8DFG, Dennis	Treasurer
WB8E, Walt	Board Member
*W8IC, Phil	Board Member
N8OZ, Joe	Board Member
W1IK, Jim	Past President
*Absent	

Meeting called to order by the President at 7:31 PM.

Introductions were made, new members, visitors and upgrades recognized.

Motion made to accept the minutes as printed in the Express made by Jim, N8DMW and 2nd by Rich, K8PJQ, motion carried.

Treasurer's report given by Dennis, W8DFG. Motion to approve made by Arpad, WY8M and 2nd by Keith, N8EB, motion carried.

Dennis reported that the final audit for the 3rd and 4th quarter had been performed by two of the directors and the Vice-President at the last Board Meeting.

Membership: Ken, KW8Z - As of tonight's meeting we have 148 paid members for 2006.

Technical report: Jim, W1IK, gave the technical report in absence of Floyd, W8RO.

Website: Brad, N8VI - Archive stream has been down, but is back up and running.

Express: Joe, K8OEF - If members have not paid for 2006 and they have Cork Board items they will be removed.

Health & Welfare: Walt, WB8E - Card is going around for Nancy, KB8QMS, she had hip surgery.

Swap: Tom, KD8AVF stated that Tom, W8TRC would take on the responsibility of taking on Security.

—Continued on Page 9

Soup Up Your Signal

Submitted by Dick, AF8X

Listening to the USECA repeater, I notice quite a few signals that are not quite making it. Usually people using HTs from their homes. Here is a simple almost free method of enhancing an otherwise unreadable signal from WB3GCK.

Amateur Radio
WB3GCK
Project Notebook

The Twinlead J-Pole

Craig LaBarge, WB3GCK

In an emergency situation, it is often necessary to squeeze every bit of performance possible out of a 2 meter HT. One way to do that is to replace that little rubber duck antenna with the ever-popular Twinlead J-Pole. This simple antenna lends itself well to emergency use or as a portable antenna for hotel room operations while traveling.

There are several features which make the ubiquitous Twinlead J-Pole antenna a good addition to your emergency grab-n-go kit. When rolled up, it is an extremely compact, pocket-sized antenna. In use, it makes for a very effective antenna and provides about 3 db of gain with a low take-off angle. In fact, when used on your HT, it will dramatically out-perform your rubber duckie. And finally, it can be built in no time flat for a few dollars of readily available materials.

Technically-speaking, the J-Pole is an end-fed, halfwave antenna with a quarterwave matching section to allow feeding with 50-ohm coax. Being a halfwave antenna, it is not dependent on a ground or radials for proper performance. That's also a plus for portable operation.

Here's what you'll need to build one for the 2 meter band:

- A 60-inch piece of flat TV twinlead. Use the inexpensive Radio Shack twinlead. Don't use the more expensive foam-filled line.
- 6 feet or more of coax cable. RG-174/U miniature cable makes for a very portable antenna but don't use more than 6 feet of it; it's very lossy. Use RG-58/U if you like, but it will be a bit bulkier.
- Ferrite bead, type 43 material (*optional - see below*)
- BNC connector (or other connector of your choice)

Here's how you build it:

- First, take the 60 inch piece of twinlead and strip back about 1/2 inch from one end. Twist and solder the two wires together. Keep the connection as short as possible. This will be the bottom of the antenna.
- Next, measure up 1-1/4 inches from the bottom and carefully remove the insulation, exposing both wires, as shown in Figure 1. Keep the notches small (1/8" or so) and be careful not to cut the wires. This is where we will be attaching the coax later.

Continued on Page 6

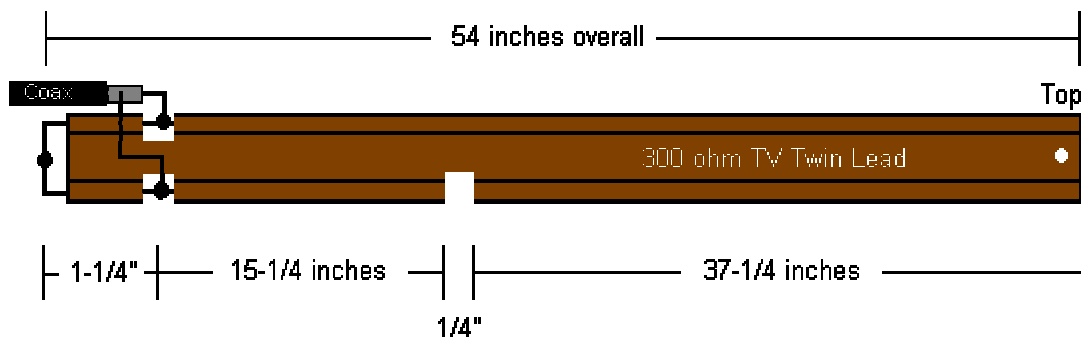


Figure 1. J-pole
(Not to scale)

WB3GCK '98

- Now, attach your coax as shown in Figure 1. [Note: A ferrite bead (type 43 material) can be placed over the outside of the coax near the feedpoint to choke off any RF that might get coupled onto the coax shield. Many plans for this antenna, however, omit the ferrite bead. Your choice. If you experience problems with RF on the rig, go ahead and add the ferrite bead. Alternately, you can wind the coax into a coil of about 5 inches in diameter with 4 turns to create a suitable RF choke.]
- Measure up 15-1/4 inches from the point where the coax braid is attached and make a 1/4-inch notch. This time, you want to cut through the wire. Only cut one notch and make sure it is on the side where the braid is attached. This will form the 1/4 wave matching section.
- Tape the coax to the twinlead for strain relief. Also, tape all solder connections and add some tape at the 1/4-inch notch for added strength.
- Now, measure up from the bottom of the antenna and cut it to an overall length of 54 inches.

That's about all there is to it. To facilitate hanging, punch a small hole in the top of the antenna. Use monofilament fishing line or other non-conductive line through the hole for hanging. The J-Pole is very broad-banded, so it shouldn't require any tuning. (An SWR check, however, is recommended.) Just unroll it, hang it up, and communicate.

Okay—From Page 2

"Anyone considering the nature of the record should recognize that the 1939 contest was a PROGRESSIVE test, with around a dozen candidates, but only two surviving to the final round. Each round consisted of a 15 minute transmission of text from a newspaper. Speed calculation was about as scientific as you could get—they cranked up the speed a couple notches, and at the end of the 15

minutes they counted how many words had been sent.

"Hams struggle with 5 minute tests (in which they only have to have solid copy for ONE minute!), and the two finalists in the 1939 test had to survive multiple, consecutive 15 wpm tests at ever increasing speeds.

"The legend is that Mac astounded the audience by not doing anything when the sending started—except to take a drink of water, and light a cigarette. He didn't start typing until

a full 15 seconds of code had gone by. When the tape finished, he kept typing for that same 15 seconds. And it's no coincidence that he also won touch typing contests! Ever the showman, Ted "Mac" McElroy put his name and "World's Champion Radio Telegrapher" on his keys and bugs, which are highly prized today by discriminating operators and collectors."

—Submitted by Dick, AF8X

SKYWARN 2006 Class Schedule



SKYWARN is an effort to save lives during severe weather emergencies by expanding networks of spotters and by encouraging the widest possible participation in tornado warning programs. There is no way to stop tornadoes, and not all tornadoes show up on radar, but they can be seen. Lives can be saved. Only one instrument can detect a tornado or funnel with complete certainty, the human eye.

We will offer **ONE** class, with **BOTH Basic and Advanced** with updated material. The class will last approximately 2 hours plus some time for questions and answers. While new technological and scientific tools have advanced our capability to predict severe weather, the trained spotter remains essential to our warning process. It goes without saying that the more trained "eyes" we have in the field during a severe weather event, the better our service to you and the public will be. More concern, more spotters, more

eyes are needed. Lend us yours—learn **SKYWARN!**

SPOTTER TRAINING CLASSES

Wednesday	March 1st	7:00 p.m. - 9:00 p.m.	Oakland County Emergency Response and Preparedness
Tuesday	March 7th	7:30 p.m. - 9:30 p.m.	Covert Center, Waterford
Saturday	March 11th	10:00 a.m. - 12:00 p.m.	Oakland County Emergency Response and Preparedness
Saturday	March 11th	1:00 p.m. - 3:00 p.m.	Oakland County Emergency Response and Preparedness
Wednesday	March 15th	7:00 p.m. - 9:00 p.m.	Groveland Township Fire Department, Station #1
Tuesday	March 21st	6:00 p.m. - 8:00 p.m.	Southfield Civic Center Library

All interested parties (i.e. fire, police, EMS, security, volunteers, and citizens) are encouraged to attend.

The Oakland County Office of Emergency Response & Preparedness coordinates this program. Limited space is available, so make your reservations now!

Please call (248) 858-5300 to register

or

Send an email to: ocem@co.oakland.mi.us

Please include your name, address and phone number.

- **See reverse side for location information**

The County of Oakland does not discriminate on the basis of disability in admission or access to its programs, activities, or services as required by Title II of the Americans with Disabilities Act of 1990. Please contact us within five (5) business days prior to the event if you have any special needs.

Continued on Cover Page

USECA Club Liaison

MONTH	DATE	EVENT
MAR	1-21	Skywarn Class Schedule for Oakland County Oakland County Office Emergency Response & Preparedness (OCERP) Class will last approximately 2 hours plus questions and answers. You must call and reserve your spot now space is limited. Please call (248)-858-5300 to register Email ocem@co.oakland.mi.us Mar 1st 7:00 P.M. – 9:00 P.M. OCERP Mar 7 th 7:30 P.M. – 9:30 P.M. Covert Center, Waterford Mar 11 th 10:00 A.M. – 12:00 P.M. OCERP Mar 11 th : 1:00 P.M. – 3:00 P.M. OCERP Mar 15 th 7:00 P.M. – 9:00 P.M. Groveland Township F.D., Station 1# Mar 21 st 6:00 P.M. – 8:00 P.M. Southfield Civic Center Library.
MAR	18	Crossroads Hamfest. Southern Michigan Amateur Radio Society Marshall, MI Marshall High School 701 North Marshall http://www.qsl.net/w8df Talk-In: 146.660 (no tone) Contact: Billy W. Booth, KD8CDS Phone: 269-965-1415 Email: SQJUMPER@aol.com
APR	8	Milford Swap and Shop Milford Amateur Radio Club Highland, MI Milford High School 2380 Milford Road http://www.qsl.net/w8ydk/ Talk-In: 145.49 MHz (PL 67) Contact: Rose Mary Moore, KC8NQJ Phone: 810-632-5174 Email: mboard3106@aol.com
MAY	6	Cadillac Amateur Radio and Computer Swap Wexauke Amateur Radio Club Cadillac, MI Cadillac Junior High School 500 Chestnut Street http://members.fortunecity.com/wexaukee Talk-In: 146.98 - (no tone) Contact: Brian Polk, KC8TXT Phone: 231-743-6860 Email: bandb@netonecom.net
MAY	19-21	55th Dayton Hamvention Dayton ARA Trotwood, OH Hara Arena 1001 Shiloh Springs Road http://www.hamvention.org/ Contact: Jim Nies, WX8F
JUN	3	Annual Hamfestival The Independent Repeater Association Hudsonville, MI Hudsonville Fairgrounds Grant Street http://www.w8hvg.org Talk-In: 147.16 (PL 94.8) Contact: Ray Abraczinskas, W8HVG Phone: 616-455-3915 Email: abra@i2k.com
		<i>Submitted by David, KC8TTQ</i>

From the President—From Page 1

We offer several nets to participate in, and welcome your check-ins. Besides the 2-meter, 6-meter and HF nets, we have recently introduced a VHF digital night once a month. This is becoming popular. The Monday night CW training net is the perfect way to learn the code characters and obtain your high frequency operating privileges. The Sunday night trader's and technical support net is your "swap and shop" on the air. It's also a good time to ask questions about radio theory or operating procedures.

If you have any ideas you think others might be interested in, please contact any board member, send us a e-mail, or mention it at a meeting. You are encouraged to write articles for the USECA Express. Tell us about the events you attended or anything the club would be interested in.

It's time to get radioactive. This is YOUR club and we welcome your participation in our events. Please don't hesitate to jump in and volunteer for a job that needs to be done. You will help the club grow, meet people, and have fun. Let's enjoy our hobby together.

See you at the next meeting! 73, Chuck

What Do You Offer USECA?—From Page 1

Last Field Day I kind of "fell" into the 20-meter phone station chair, and ended up having the weekend of my life. I had such a good time that I immediately signed up for 20-meter phone again for the 2006 Field Day.

What's the point? I don't give a lot to USECA – USECA gives a lot to me. I understand overtime at work, a couple of kids that need time – not to mention the XYL that has her needs. Some weekends you just want to watch the game (Go Wings!) or do those chores around the house you have been putting off.

You are the one that joined USECA, and USECA has put up on its end – now it's your turn – GET INVOLVED IN YOUR CLUB!

Keith McKenzie, N8EB

Did you know . . . there MAY be a USECA Garage Sale — Soon!

Meeting Minutes—From Page 4**Old Business**

Joe, K8OEF asked if there were any more takers on the Christmas DVD that he made for a donation to the club.

New Business

Jim, W1IK stated on what Blake, KC8PQA is doing with the PSA's. (Please refer to Board Meeting Minutes.)

Arpad, WY8M provided his QSL cards for showing and provided additional information regarding QSLing.

Keith, N8EB made a pitch for Field Day in absence of Phil, W8IC.

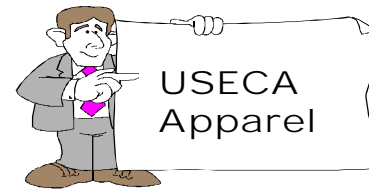
The 50-50 drawing was won by Ken, KW8Z.

Motion made by, Jim, N8DMW seconded by Jim, W1IK to adjourn the meeting. Motion carried, meeting closed at 8:10 PM.

Respectfully submitted,
Dennis, W8DFG
Acting Recording Secretary

USECA VE Testing

Testing will be the FIRST Thursday of the month from September through June. Joe, N8OZ will have the CVE duty. No pre-registration is needed or wanted. Test Fee is \$14.00. Applicants need copies and originals of CSCE's and/or license. There is no copy machine at the Elks; (there is none close by). Starting time is 7:00 p.m. — please do not arrive earlier. Walk-ins are welcomed. Test site is at the Mt. Clemens Elks, 179 S. Main St., Mt. Clemens. If testing, you must have the following: picture ID (or birth certificate); and a copy of your current license or completion certificates, if any.



Jackets—\$45.00 • Sweatshirts—\$25.00
Polo Shirts—\$22.00 • Caps—\$6.00
(2X & 3X—Additional Charge)
Contact: Chuck, N8ZA
At Meetings or Phone (586) 557-4983

Net Point System

- ✓1) HF CW NCO = 4 points, HF SSB/VHF NCO = 3 points, HF CW/SSB check-in = 2 points, VHF check-in = 1 point. HF < 30 MHz, VHF > 30 MHz. (NOTE: Check-ins should do so *personally*, proxy check-ins are legitimate *only* for members on club business. "In & Out" check-ins, though allowed, are discouraged.)
- ✓2) Awards are earned for 50 points and multiples thereof. Additional awards for the highest annual HF and VHF scores. Awards are meant to encourage **participation** and can be earned by any **USECA member**.
- ✓3) Net logs must be readable and include the CALLS and NAMES of check-ins, as well as NCO, DATE, and MODE.
- ✓4) NCO's: Forward net logs to the Awards Manager within 30 days; logs received later will not earn the bonus points normally awarded a NCO. Mail your logs to: Chris, KV8Z, 8420 Republic, Warren, MI 48089; or email to kv8z@k8uo.com.
- ✓5) If you notice any errors in the database, wrong or changed call signs, misspelled names, etc., let Chris know ASAP.

The *USECA EXPRESS* is published monthly (except July and August), by the UTICA SHELBY EMERGENCY COMMUNICATION ASSOCIATION, INC., of Macomb County, Michigan. Club meetings are held on the second Tuesday of each month (except July and August), 7:30 p.m., local time, at the Elks Club, 179 S. Main (between Church and Robertson), Mt. Clemens, Michigan. *Visitors are always welcome.* Articles for the *EXPRESS* should be submitted to the editor no later than the night of the club meeting for publication in the following month's edition. **The articles within are those of the author and not necessarily endorsed by USECA.** Material contained in the *EXPRESS* may be reprinted provided credit is given to the *USECA EXPRESS* and the author, except material published by permission of a copyright holder. The awards for "Excellent" (1994) and four times "Superior" (1995, 1996, 1997 and 1998) were received from ARNS (Amateur Radio News Service). [Note: ARNS has disbanded.]

USECA Cork Board

? Radio Items?

ALS 600 Solid State Base Amp. No tune 1.5 to 22 MHz. List \$1129.99; sell for \$1000. (Page 86 in AES catalog) Contact Jerry, K8CFY at: k8cfy@k8uo.com.

GENERAL Radio Freq. Measuring Equipment; 2-6' cabinets; w/all frequency equipment; w/manuals; lots of electronics; \$250.

HEATHKIT Transceiver model HW-16; w/manual. 80-40 & 15 meters; no crystals; \$35.

HEATHKIT SWL radio model GR-81; 160-80-40-20 meters; w/manual \$50.

KENWOOD Linear Amp. 1000 watts, model TL-922A; 160-15 meters; \$1000. Contact Jose, K8LJM; (586) 792-4602.

? Miscellaneous Items?

SONY/DELL 21" CRT Computer Monitor with manual; like new; 2 years old. \$195. Contact Joe, K8OEF at (586) 781-0050 or k8oef@k8uo.com.

★New or changed this month.
 Please notify the editor to have item(s) added and/or removed.
 This Cork Board is for club members only and it's free!



(That's us—U S of A)

Name Badges
 WITH THE OFFICIAL USECA LOGO
 CONTACT LAURA — (586) 749-4561

★FOR SALE

COMET SBB5NMO – BRAND NEW! Dual-band 2M/440, blacked-out "stealthy" antenna, with tilt-over feature so you can get in the garage, I bought two from ComDac at the last swap but only needed one (AB8MJ's truck); I paid \$60 - and so will you!

TrippLite Power Supply – model PR-40, label sez "13.8V @ 40A," no meters, ¼"-20 threaded power lugs on the back, power switch on the front, yep, it's heavy! \$100.

Heathkit HS1661 – external speaker, no cord, good condition; \$50.

American Electrola DXC-100 – rare tabletop radio, only 2000 ever made, all solid state, American made with American components, allegedly the last USA-made SW radio actually made in the USA, HF receiver up to 30 MHz + FM '3M' band, AM/FM/SW, digital LED display, direct entry keypad, wooden case, front firing speaker, large internal wire loop antenna, long telescopic antenna, ext. jack, power supply, original owners manual; \$95.

Radio Shack Micronta 21-525B – SWR/Field strength meter, sold "as is," \$10.

ROLODEX RT-8214 – electronic organizer, 2Mb of memory, touch screen like PDA, software, pc cable for backups, just got it but looks like I won't use it, so, for sale; \$20.

MFJ-915 – RF Isolator, SO-239 (PL-style) connectors, manual, like new; \$20.

1999 BMW R1100S – email for details and sale flyer; \$5500.

MFJ-956 – tuner, two knobs, 2 SO-239's; \$20.

Adaptor – RCA-style to PL style (SO-239), have a few; \$1.

¼" **Phono** – all metal male phono plug, use for mono headphones and such; \$1.

Yaesu MH-34 – Speaker mic for Yaesu HT's, single pin 4-conductor style, rotatable lapel clip, like new; \$20.

Kenwood SMC-33 – Speaker-mic for Kenwood HT's, two-pin style, right angle connector, has three programmable buttons across top, lock switch on back, rotatable lapel clip; \$45.

Computer Speakers – amplified pc speakers, used only 10 minutes; \$5.

1999 NIGHTHAWK – Honda 750cc 4-cylinder Nighthawk motorcycle, black, 18k miles, new aftermarket windshield added, email to get a sale flyer; Clymers shop manual; \$2600.

Dummy Load – "twin tower" dual massive ceramic resistors, looks like 50+W easy; \$15.

1N3085 – huge 100V 150A recovery diodes, have one left; \$10/each.

CB Antenna – about 26" long, base loaded, base load is tunable w/2 adjustment rings, 3/8" style mount; \$5.

Cell Phone Mobile Power Cord – for cell phone with 4.8V battery, DC coaxial plug on phone end; \$5.

Power Supply – switching PS, 12-15 VDC, 16A, works, you wire it up; \$20.

Wall Warts – various voltages, email with needs; \$2 to \$5.

Duckies – UHF duck about 6" with BNC, \$5; dual band 2M/440 "ICOM" style about 6" with BNC, \$15; 11 Meter black rubber duck with right angle PL259, \$5.

K-40 10/11M Whip – 4' fiberglass, black, tunable, substitute for original K-40 stainless whip & base load, no mount or coax just the antenna; \$5.

K40 -- 10/11M base-loaded antenna with SS whip, no base for it, just antenna; \$10.

Regency CB-501 -- 40 ch CB radio, with mic, "as is," \$10.

Colt 220 – 40 ch CB radio, with mic and power cord, "as is," \$10.

Contact Arpad, WY8M at: wY8m@arrl.net or, 147.180+ MHz (100 Hz PL).

Stay RADIOACTIVE!

USECA APPLICATION



Rev. 3/06

DATE _____ NEW RENEWAL
 CALL _____ CLASS _____
 NAME _____
 STREET ADDRESS _____
 CITY _____ STATE _____ ZIP _____
 TELEPHONE # _____ PRINT # IN ROSTER YES NO
 BIRTHDATE _____ EMAIL ADDRESS _____
 MEMBER: **ARRL** YES NO **RACES** YES NO

FOR FAMILY MEMBERSHIPS ONLY:

CALL _____ CLASS _____
 NAME _____
 BIRTHDATE _____
 MEMBER: **ARRL** YES NO
RACES YES NO

CALL _____ CLASS _____
 NAME _____
 BIRTHDATE _____
 MEMBER: **ARRL** YES NO
RACES YES NO

Annual Membership Dues: Regular: \$20 — Family: \$30
 Applications can be given to the Membership Secretary at monthly meeting or mailed.
 Please make check payable to: **USECA** — Address: **P.O. Box 46331, Mt. Clemens, MI 48046**
 (Allow 4-6 weeks for processing.)
 USECA reserves the right to accept or reject New or Renewal Memberships.

Local Area FM Nets

DAY	TIME	CLUB	FREQ.
SUN	1:00 pm	USECA/Information	147.180
SUN	8:00 pm	USECA/Traders/Helpers	147.180
SUN	9:00 pm	HPARC/Info	146.640
SUN	9:00 pm	Garden City ARC	146.860
SUN-SAT	10:15 pm	S. E. Michigan Traffic Net	145.330
MON	7:30 pm	SATERN	147.180
MON	8:00 pm	MECA/Info	147.200
MON	8:00 pm	GMARC (PL 123)	443.075
MON	9:00 pm	USECA/Morse Code Class	147.180
TUE	9:00 pm	Motor City Radio Club	147.240
WED	9:00 pm	ARPSC/Info	145.490
THU	8:00 pm	RACES/ARES	147.200
THU	8:30 pm	LCARC/Info	147.080

VHF PL'S — 100 Hz

On The World Wide Web
 USECA Home Page

WWW.USECA.NET

Local HF Nets

DAY	TIME	CLUB/DESCRIPTION	FREQ.
MON	7:30 pm	LCARC/15 Meter CW	21.165
MON	9:00 pm	LCARC/15 Meter Phone USB	21.395
WED	7:00 pm	USECA/6 Meter Phone USB	50.150
THU	7:30 pm	LCARC/10 Meter Phone USB	28.435
THU	9:00 pm	USECA/15 Meter Slow CW	21.140
FRI	10:00 pm	USECA/80 Meter CW	3.710
FRI	11:00 pm	USECA/10 Meter Phone USB	28.425

Listings in **BOLD** are USECA club nets, but ALL ARE WELCOME!

Net Ops Schedules

2-METER NETS

	SUN. 1 PM	SUN. 8 PM**
WEEK	147.180 MHz	147.180 MHz
1	VA3IDJ	W1IK
2	KT8F	N8EB
3	-OPEN-	W8RIT
4	-OPEN-	KW8Z
5*	WB8E	-OPEN-

*If applicable

**Traders/Helpers Net

NCO's—If you're unable to take your net please get a replacement or contact Brian, KC8DIR (586) 749-4561—Don't wait!

USECA

UTICA SHELBY EMERGENCY COMMUNICATION ASSOCIATION, INC.
P.O. Box 46331 • Mt. Clemens, MI 48046

PLACE
STAMP
HERE

FIRST CLASS MAIL



MARCH 2006

"The Happenin' Club"

Club Activities

MONTH	DATE	TIME	EVENT
MAR	2	7:00 pm	VE Test Session
MAR	14	7:30 pm	General Meeting
APR	6	7:00 pm	VE Test Session
APR	11	7:30 pm	General Meeting
APR	30		WalkAmerica—Metro Beach
MAY	4	7:00 pm	VE Test Session
MAY	9	7:30 pm	General Meeting
MAY	13		Pre-Field Day & Picnic
MAY	19-21		Dayton Hamvention
JUN	1	7:00 pm	VE Test Session
JUN	13	7:30 pm	General Meeting & Fox Hunt
JUN	24-25		Field Day

Skywarn —from Page 7

?Oakland County Emergency Response & Preparedness/IT Information Technology-Auditorium, Campus Drive South (West of Telegraph, behind Oakland County Farmer's Market)

✧ Groveland Township Fire Department Station #1, 14645 Dixie Highway at Grange Hall Road, Groveland Twp.

? Civic Center Auditorium complex City of Southfield Library, 26300 Evergreen Road, ½ Mile S. of I-696 or ½ Mile N. of 10 Mile Road, follow signs

★Covert Center Auditorium, 1150 Scott Lake Road, Waterford