



USECA EXPRESS



Michigan's Largest and Most Active Amateur Radio Club

UTICA SHELBY EMERGENCY COMMUNICATION ASSOCIATION, INC.

Volume 21, Number 6, June 2005

2005 MS150 Bike Tour July 16 & 17

The dates have been set for this year's MS150 Bike tour, July 16 & 17. We are in need of operators to work the 2-day event.

The MS150 event is the largest Amateur Radio public service event in South East Michigan. It requires a minimum of 75+ amateurs, to cover some 200+ miles of route, plus rest stops, and some 20+ mobile units each day. Each amateur that participates in the two day event supplies his or her own equipment, mainly consisting of a 25 Watt or greater 2 meter FM radio, Magnet Mount antenna, cigarette lighter socket Y adapter, and power cords.

Food and lodging for Saturday night are provided for by the MS organization. The event starts promptly at 7 am Saturday and concludes late Sunday afternoon after the last rider arrives back. The Saturday night entertainment at MSU is a fun time for all.

If you are interested in participating or need any questions answered, please email Fred, W8FSM - fred@moses.bz. We currently have many open assignments for either Saturday, Sunday, and many 2 day assignments as well.

To sign up for the event or get more information visit our website: <http://ms150.moses.bz>.

73, Fred, W8FSM, MS-50 Amateur Radio Communications Manager (ARCM)

Field Day 2005

Phil, W8IC

It's almost here, the biggest event in ham radio. Your club is hoping you will be a part of it. Look forward to a few days of radio, fun, food and visiting, as well as contesting and learning. Not to mention making a little history that you and your friends will remember as the "good old days" in years to come. There is, of course, some work involved. Setting up the kitchen and the stations takes some effort, but with enough members pitching in, it is more like fun than work.

Field Day takes place June 24, 25 and 26. Kathy and Jim, N8MCD will once again graciously host us at their farm. The location is Powell Road, just north of 30 Mile Rd. Take the M-53 Freeway, which parallels Van Dyke, north to 30 mile and turn right (east). Go to the first street which is Powell and turn left. The first farm on the right is the spot.

On Friday, you can plan on arriving about noon or so if you are able to help. Hams and future hams will meet and after a little visiting, set up the kitchen tent. At 2 PM it will be legal to start setting up the radio stations in the field. Dinner will be provided about 5 PM. At about 8 PM, the famous QRM band will play some tunes. This year, a special guest band may also be providing some entertainment. Friday night is when a lot of old friends do some catching up. This often goes on past midnight! Plan on bringing lawn chairs and your favorite beverage. Remember, absolutely NO glass bottles are permitted on the property, as broken glass is dangerous to the farm animals and difficult to clean up.

Saturday, of course, is the real thing. After breakfast, the morning will be spent getting the remaining antennas up and tested. A brief station chair meeting will be held. The contest starts at 2 PM. The object is to contact as many stations in a 24 hour period as you can. All are encouraged to visit each station, and guest operators are welcome. Please remain quiet if the operators are engaged in active contesting when you visit, so that they are not distracted. Remember that guests operate at the discretion of the station chair. If you did not help set up the station, you may have to wait for a chance to sit in the operator's chair.

The Saturday schedule includes breakfast, lunch and dinner. The food is planned and organized by our excellent kitchen crew, headed up by Dennis, W8DFG, and Brian, KC8DIR. The food is free to all who are helping in the Field Day project. If you are just visiting, a small fee of \$1 for breakfast, \$2 for lunch, and \$3 for dinner is required. Dinner will include a pass-a-dish for the Saturday night dinner. It is usually quite a feast, with something other than hamburgers and hot dogs as the main course.

—Continued on Page 13

Next Meeting — Tuesday, June 14

CLUB DIRECTORY

BOARD OF DIRECTORS

President Jim Wickstrom/W11K (586) 771-4135
 Vice President Scott Madison/WN1B (248) 628-4756
 Recording Secretary Ann Manor/KT8F (586) 751-3893
 Treasurer Dennis Gaboury/W8DFG (586) 465-7126
 Membership Secretary Ken Cassale/KW8Z (586) 552-8311
 Past President Nancy Carr/KB8QMS (586) 749-3383

ELECTED BOARD MEMBERS

George Schutte/K8GEO (248) 393-4030
 Joe Kennedy/N8OZ (586) 977-7222
 Fred Holmes/W1SKU (248) 693-3638



COMMITTEES

ARRL Liaison Phil/W8IC (586) 751-3893
 Awards Manager Arpad/WY8M (586) 751-3804
 Door Prizes -OPEN-
 Editor Joe/K8OEF (586) 781-0050
 Field Day Chair Phil/W8IC & Ann/KT8F (586) 751-3893
 Health & Welfare Walt/WB8E (586) 777-2954
 Historian Jerry/K8CFY (586) 791-4484
 Liaisons George/K8GEO & Mike N5WCS
 Mailers/Sorters Ann/KT8F; Phil/W8IC; & Crew
 Net Manager Brian/KC8DIR (586) 749-4561
 Photographer Richard/K8QLM (586) 731-4475
 Program Director Scott/WN1B (248) 628-4756
 Public Relations Officer Ken/N8KC (248) 652-1187
 Refreshments Ken/KC8ZVA
 Repeater Trustee Dennis/W8DFG (586) 465-7126
 Swap & Shop Bob/KZ8N (586) 716-9114
 Technical Director Floyd/W8RO (248) 391-6660
 Technicians WN1B; K8FT; WA8GQL; KC8IAQ; W11K; AD8S; N8SA
 VE Testing Joe/N8OZ (586) 977-7222

CONTROL OPERATORS (*Phone Number Above)

Scott/WN1B* Jim/W11K* Floyd/W8RO*
 Dennis/W8DFG* Joe/K8OEF* Dave/AD8S
 Dave/KC8IAQ Joe/N8OZ*
 Phil/W8IC* Nancy/KB8QMS*

PROGRAMMERS

Dennis/W8DFG Dave/KC8IAQ

SILENT KEYS

Len Czapiewski/K8DHH	Stuart Satrun/KW8K	Vance Dupuis/WB8QNI
Art Sheff/WD8EGV	Rick Parady/KB8KLW	Dave Martin/W8VB
Joe Lucido/NU8F	John Moore/KA8KTV	Harry Young/W8VRW
Charles Smith/N8FWF	John Palmer/WD8LBH	Velma Ragon/N8YVC
Clarence Ringo/W8HQO	Joe Palson/WD8MFN	John Tomlins/KG8YX
Joe Steel/KA8IZM	John Pizzuti/WB8NHT	

f= Founder c= Charter h= Hon. Charter

N8AWV h	N8HCT f c	WB8OSF h
KA8BDG c	KA8IZM f c SK	K8QLM f c
N8BK h	KA8KTV f c SK	WB8QNI c SK
N8FDN c	G. Manquardt h	KA8VYV h
N8FNO f c	WD8MFN f c	WA8VZZ c SK
J. Haubner c	WB8NHT f c SK	

Michigan's . . .

BEST-IN-CLASS!

The Editor is:

Still Going

Joe, K8OEF

The winds of change were blowing, and it blew in the information that you (and everyone in the world) can now read *all* the editions of the *Express* on the web, *without* a password.

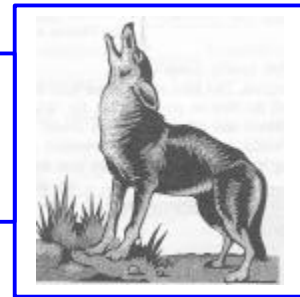
A special thanks to Steve, KD8ARL for his efforts and contribution to USECA for the "Frequency Guides" included in this edition (pages 9-12)—check it out on our web site and you'll see it in color. (Awesome!)

"June Is Busting Out All Over." Don't forget our annual Fox Hunt on Tuesday, June 14th right after the general meeting. The Hunt usually starts around 8 p.m. And of course, the granddaddy of them all, Field Day! You've just *got* to experience it!

June! *Wonderful!* What's so great? The entire editorial staff will take its well-deserved two-month vacation. *YEAH BABY!*

Have a great and wonderful summer! 73 for now.

Catch me if you can on June 14th.



Inside This Issue

2005 MS 150 Bike Tour.....	1
Field Day 2005.....	1
Still Going.....	2
The Mechanics of CW.....	3
USECA Meeting Minutes.....	4
QRP in Puerto Rico.....	5
Dxing in St. Lucia.....	5
USECA Club Liaison.....	6
Field Day Safety.....	7
USECA VE Testing.....	7
USECA Apparel.....	7
2005 Field Day Shirts.....	8
Amateur Band Frequency Guide...	9
USECA Cork Board.....	14
USECA Membership Application..	15
Local Area FM and HF Nets.....	15
Net Ops Schedule.....	15
Club Activities (Cover)	
Name Badges (Cover)	

The Mechanics of CW

By Dick Arnold, AF8X

WHEN STARTING OUT in the radio hobby, many questions come to mind and after answered, are soon forgotten. Some of these questions are solved by trial and error, some from the suggestion of others. Hopefully the following will aid those just starting out.

The Straight Key: In the past most beginning hams start using a straight key, but few of them do it correctly resulting in ragged, uneven code and a quickly tiring arm. If you have been doing it differently, try this and see if it isn't a better method for you. At first, adjust the contact spacing to about the thickness of a business card. (I like mine even closer) Then adjust the spring tension just enough to keep the contacts from closing from the weight of your fingers. These adjustments are a starting point and a matter of personal feel; don't be afraid to experiment to find what's right for you.

Lightly grasp the straight key knob with the thumb and the first and second fingertips. Support your elbow on the table surface and pump your wrist in an up and down motion which will transfer the motion to your fingers and finally to the operating lever. I have found this method less tiring and easier to increase sending speed. The next tip is the old adage, Practice, Practice, Practice.

The Bug: Semi-automatic keys like the Vibroplex became popular when professional telegraphers needed a key that was less tiring and allowed greater speed. The dits are generated by a contact fastened to a flat spring that vibrates causing the contacts to open and close at a rate governed by weights added to the spring. The dahs are made manually by holding the right side of the paddle for the duration of each dah. The adjustment of the bug is very important and is too detailed to print here, but the instructions are available on line as well as with newly purchased instruments. The main concern in the bug adjustments is the weights used to limit the frequency of the dits. All too often, bug operators will not use enough weight to slow the dits to a reasonable ratio to the dahs making copy very difficult.

The Electronic Keyer: Most CW operators are now using electronic keyers controlled by paddles. Most of these devices can be adjusted to change the weighting (ratio of dit to dahs) to either more or less than the normal 1:3 ratio. A word of caution, don't change it unless you have a good reason. The 3:1 ratio is considered ideal and easiest to copy.

There are two different techniques of operating an electronic keyer. One is the "slap" method where the dit and dahs are made by touching the appropriate paddle for

each and holding for consecutive transmission of the selection. The other method is called Iambic keying. Characters are formed by squeezing both paddles in a certain way. Example: an "R" is sent by touching the dit paddle first and then the dah paddle while still holding the dit paddle. Of course the release has to be timed to stop when the "R" is formed. Another example is "Q" The dah paddle is held and as the second dah is heard, the dit paddle is tapped then both paddles released. This method takes some practice, but after a while it becomes quite natural. I use the Iambic method and don't even think about it. Using an electronic keyer will enable you to send at a pretty high rate so be careful that you are able to copy at the same rate you transmit.

Keyboards: Well what can I say? I don't like using keyboards because I don't type well and I feel there isn't a direct connection with your contact. When sending CW manually or even with a keyer, it is in real time, or live. When using a keyboard, you type into a buffer and it is sent out at a steady rate, but not at the very time you are composing your message. This may be something that bothers only me, but I thought I would mention it. You can usually tell when someone is using a keyboard because they spell out most words rather than use the abbreviations normally used during CW QSOs. Also, if they are sending at any speed, it becomes uncomfortable copying a steady, un-remitting stream of conversation. Manually sent code has little pauses from time to time just as in verbal speech, which I think is a more relaxed, casual method of communication.

Again, don't send faster than you can copy. I know some people used code readers, but it can be embarrassing if there is a glitch and your code reader stops reading.

Morse Tips & Quips



"IT'S NEVER TOO EARLY TO START
LEARNING MORSE CODE!"

Copyright © 2004 K9XX Telegraph. All rights reserved.

USECA Meeting Minutes

Board Meeting—May 3, 2005

In attendance:

W1IK, Jim	President
WN1B, Scott	Vice-President
KT8F, Ann	Recording Secretary
KW8Z, Ken	Membership Secretary
W8DFG, Dennis	Treasurer
K8GEO, George	Board Member
N8OZ, Joe	Board Member
W1SKU, Fred	Board Member
*KB8QMS, Nancy	Past President
*Absent	



Meeting called to order by the President at 7:43 PM

Correction to the April BOD minutes: item about Steve, KD8ARL and the band plan – his name was mistakenly listed as Scott at the end of the item. Motion to accept the amended minutes made by Dennis, W8DFG and 2nd by Scott, WN1B; motion carried.

Treasurer's report provided by Dennis, W8DFG. Discussed upcoming expenses. Dennis reported that he had located paperwork stating that we are a 501 (C)(4) organization, and have been so since 1985. We are exempt from filing an income tax return.

Membership: Ken, KW8Z - 181 members. Discussion re: sign-up sheets. They will be tallied at the general meeting and the amount recorded in the Express. The sign-up sheets will continue to be held by the Recording Secretary.

Trustee Report: Dennis, W8DFG. No report.

ARRL – Phil, W8IC. No report.

Field Day: Phil, W1IC – stated the kitchen is set, with Dennis, W8DFG and Brian, KC8DIR in charge. Phil is looking for more station chairs.

Swap: Bob, KZ8N – not present, but Scott, WN1B reported that the hall has been reserved. Scott has provided Bob with all necessary info, flyers, etc.

Health and Welfare: Please contact Walt, WB8E if you know of someone with an illness.

Club Liaison: Mike, N5WCS stated he will provide the report at the meeting. He is looking for someone else to take over this position. George, K8GEO is willing to continue to attend most of the other club meetings, with the exception of the L'Anse Creuse meeting. We are looking for someone who is willing to compile the report.

T-Shirts: this year's design was created by Jim, W1IK and chosen by BOD consensus. It will be available for purchase on our web site soon.

New Business

Scott, WN1B provided the BOD with a detailed USECA Link Radio Budget. All items required to finish the link radios, the downtown and north sites, and also to change out 4 of the verticals to dual band vertical antennas were listed, with cost. The request is for \$2898.10. Some of the cost has already been approved. Scott, WN1B made a motion to bring the request before the general membership for a vote, 2nd by George, K8GEO. Discussion. Motion carried.

Jim, W1IK submitted for review the paper for our corporation registration, this was approved and will be mailed. Filing fee \$20.00.

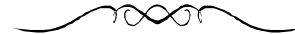
George, K8GEO advised the BOD that the MS 150 will be coming up July 16 and 17; also the annual Woodward Cruise will be Saturday, August 20. He seeks volunteers to help out with communications for the events as public service tasks. Jim, W1IK also suggested that our club get involved with emergency preparedness drills as training.

Chuck, N8ZA stated that Able Electronics in St. Clair Shores is willing to provide USECA members (showing current membership card) with a 10% discount.

Dennis, W8DFG made a request that we make our annual donation of \$100.00 to the Mount Clemens Elks Club, as we have done in the past. After discussion, the request was approved.

Meeting adjourned at 8:50 PM.

Respectfully submitted,
Ann Manor, KT8F, Recording Secretary



General Meeting—May 10, 2005

In attendance:

W1IK, Jim	President
WN1B, Scott	Vice-President
KT8F, Ann	Recording Secretary
KW8Z, Ken	Membership Secretary
W8DFG, Dennis	Treasurer
K8GEO, George	Board Member
N8OZ, Joe	Board Member
*W1SKU, Fred	Board Member
*KB8QMS, Nancy	Past President
*Absent	

Meeting called to order by the President at: 7:30 PM.

Introduction were made, new members, visitors and upgrades recognized. Per the sign-up sheet, 50 people attended the meeting.

Minutes: Correction to the Pre-field day item in the May General meeting minutes: The picnic area is Gladeview, not Glenview. Motion made to accept the minutes as amended made by Pete, KC8WWE, and 2nd by Dave, W8RIT, motion carried.

Treasurer's report given by Dennis, W8DFG. Motion to approve made by Jim, N8DMW, and 2nd by Mike, N5WCS, motion carried.

Membership: Ken, KW8Z - 182 members.

Technical report: Floyd, W8RO reported. Will be getting parts for the new receive site soon. Scott, WN1B reported that we changed out the link site in Mt. Clemens on Friday, May 6. There are still some problems with the voter that need to be adjusted. Should be done this week.

Swap: Bob, KZ8N addressed the club. He is looking for volunteers in many capacities such as security, manning the test bench, and others. Contact Bob to sign up for a position.

—Continued on Page 8

QRP in Puerto Rico

April 2005

Doug, KP4/K8DK

TEN YEARS AFTER my trip to St. Lucia now it is Puerto Rico. Taking your amateur radio gear while traveling can be fun and enjoyable. The most difficult thing to do is to decide which antenna to bring and how you will install the antenna when you arrive.

I travel quite a bit for my work and pleasure. I have taken my radio equipment around the world. I would have to say I have little to no difficulty getting through security with my radios and antennas. Occasionally security will ask what is this stuff. I just say it is a radio and they let it go at that. If they ask what the metal antenna is, I just say it is tubing or wire and let it go at that. It seems the more you try to explain it, the more difficult it is and the more time consuming it becomes. I try to keep the conversation short and simple. It seems the items that set off attention with the security screeners are the batteries. That's what makes the security agent open your bags. They want to see it and make sure it is not connected to something that may explode I guess.

I take my Elecraft KX-1 or my K1 depending on where I am going and what bands I think I would like to use. Taking my KX1 to Puerto Rico was easy when tucked into my carry on luggage. See the attached photo of my whole system in the Pelican Case. The whole system weighs less than a pound and a half. As you can see the radio and paddles are connected together and to the left of the radio are two wind-up spools of wire. One is the radiator that is about 28 feet long and the counter poise is 22 feet. They are available at any local Radio Shack store. In front of the spools of wire are the earphones and antenna connection, bnc to banana plugs. The KX1 has a built in antenna tuner, so it makes it easy to tune on 40, 30 and 20 meters, which this radio is capable of operating. This antenna system works very well on 20 meters. I have also made contacts on 30 and 40 as well with this antenna.

I am always amazed what 2 watts can do with a simple piece of wire. Most every station I worked would come back with the comment; I am amazed with your station. When I tell someone I am using AA batteries and a couple watts and a 28-foot piece of wire, they can hardly believe it. Soon after the contact I email the other station with a photo of the Pelican case with the radio enclosed with a short explanation of what is in the box. This will start a series of emails and most of the time the other station wants to set up a schedule on another band the next morning. Bringing my laptop and having a wireless connection these days makes it real easy to be able to look up their call on QRZ.COM. Most hotels, resorts, airports, coffee shops, restaurants, car dealers all have free wireless connections. Taking a small laptop adds to the fun of ham radio while you travel.

—Continued on Page 13

DXing in St. Lucia

By K8DK ex KG8F

I HAD THE OPPORTUNITY to travel to St. Lucia in the Caribbean the first week of April 1995. I took my Ten Tec Argonaut 509, a MFJ-971 tuner, and an Inverted Vee antenna for the bottom of 40 meters. I fed the antenna with RG-174 coax. I used small 22 gauge wire and coax to conserve space and weight. The antenna was installed in a tree at 30 feet at the apex. One end was 3 feet off the ground and the other end about 7 feet. I chose the Inverted Vee because of its lower angle of radiation and it's easy to install. I also used the antenna on 15 meters. My power output was 4 watts or less. I used a gel cell battery that lasted all week.

The day after I arrived in St. Lucia, I took a taxi into the capitol of Castries. I went to the Ministry of Transportation Communications and Works. The communications officer was Mr. Perry Mason, J6DX. I enjoyed meeting him and he was very helpful. He issued a reciprocal license, and I signed with the call J6/KG8F.

All my operations were on cw. I operated early in the morning most of the time, between 6 and 8 A.M. It was a good time for making contacts. The sun was coming up and the bands were open. It was cooler at that time of the day and few people were up and around. I set up a small table and lawn chair outside my hotel room. The room was located on the ground floor. It was perfect because I had my own little patio and a big tree not far from the room. I heard many stations calling CQ DX. What I learned was most people who call CQ DX have poor listening skills—I was surprised by that. Everyone I called, that called CQ DX, didn't answer me. Yet I answered others who lived in the same geographical area that answered my 4 watt signal. What happened to the days of saying "CQ and tuning"? Most of the RST reports were 549 and 579. Most people were surprised by my QRP signal.

—Continued on Page 13

ABEL Electronics is Metro Detroit's number one resource for electronic parts. They carry a full line of adapters, connectors, semi-conductors, soldering supplies, hard to find batteries, and bulk wire. Bring in your USECA membership card for a 10% discount! They are at: 27201 Harper, St. Clair Shores, MI 48081. Phone: (586) 777-8232.

USECA Club Liaison

MONTH	DATE	EVENT
JUN	4	Oak Apple Run in Royal Oak. Contact Mike, WD8S. wd8s@comcast.net .
JUN	4	I.R.A. Annual Hamfest Hudsonville Fairgrounds, 14 miles West of Grand Rapids, MI., Contact Kelly at 616-698-6627. www.w8hvg.org . Talk-in 147.16 link system.
JUN	4	Mich. Repeater Council Quarterly Mtg. 1 PM at the I.R.A. Annual Hamfest, see above.
JUN	5	Chelsea Ham and Antique Radio Swap. Talk in 145.45. Contact wd8iel@qsl.net . www.qsl.net/wd8iel .
JUN	12	American Diabetes Association. Tour de Cure at Island Lake State Recreation Area (Brighton). Contact Jeff Albrecht, N8WR, 248-642-3608.
JUN	12	Fulton County ARC. Outdoor Hamfest and Tailgate Party. Tedrow, OH. http://k8bxq.org .
JUN	18	Midland Amateur Radio Club Hamfest. Midland County Fairgrounds, Midland, MI. Talk in 147.000+. Contact Bill, N8FUZ, (989) 853-4142, or n8fuz@arrl.net or www.qsl.net/w8kea .
JUN	19	Monroe Hamfest & Computer Show, Monroe County Fairgrounds, M-50 at Raisinville Rd. Contact Fred VanDaele at (734) 242-9487. www.mcrca.org .
JUN	25-26	Field Day , USECA; 30 Mile Road and Powel Road, Washington Twp.; L'Anse Creuse ARC, Addison Oaks Park, Addison Twp.; Hazel Park ARC, Hazelwood property near Mt. Holly. Contact your favorite club, or www.arrl.org/contest/forms .
JUL	16-17	2005 MS Bike Tour. 22 amateurs are needed to ride in MS vehicles for 2 days, lodging and food and transportation supplied by MS. 12 additional amateurs are needed for one-day assignments for rest stops. See www.http/ms150.moses.bz .
AUG	5	Point Aux Barques Light House special event weekend sponsored by the Milford ARC. Contact Gary at k8ikw@aol.com .
AUG	13	Jackson Hamfest. Jackson Catholic Middle School, 915 N. Cooper St., Jackson, MI. Contact: Dave at 734-347-8738 or info@w8jxn.org .
SEP	4?	L'Anse Creuse ARC Romeo Soccer Tournament.
SEP	10	Grand Rapids Amateur Radio Assoc. GRAMfest, Kent County Fair Grounds, Lowell, MI; www.w8dc.org/swap.htm . Talk-in 147.26+ 94.8 PL.
SEP	18	Adrian ARC Hamfest, Fair Grounds, Adrian, MI., E-mail adrianhamfest@w8tqe.com or www.w8tqe.com .
OCT	30	USECA Swap. Contact Bob, KZ8N (586) 716-9114.
DEC	4	L'Anse Creuse Swap. Contact Dave, N8NLK at n8nlk@arrl.net or Ted, K8EO at k8eo@arrl.net .
DEC	18	Argyl Ham Holiday Winterfest. Lowell High School, Lowell, MI., 9 AM to 12 Noon. Contact Al, WW8WW at ekman@sbcglobal.net .
		If we have missed anything or some noteworthy event, please let us know. Our E-Mail addresses are: k8geo@arrl.net and n5wcs@arrl.net .
		Submitted by George, K8GEO and Mike, N5WCS

STAY RADIOACTIVE!

Field Day Safety

By Dick Arnold, AF8X

FIELD DAY IS an exciting event and is enjoyed by thousands of hams every year. It is also the site of some avoidable injuries. When my kids were growing up I hounded them with advice about the dangers awaiting them in the outside world. I explained that there was something bad waiting to happen, and if they didn't stay aware, that it could happen to them. Not a very pleasant thought, but I think it kept them from harm.

I worked in construction for 40 years. I was injured a couple of times, but I escaped without serious injuries because I was always looking for what *could* happen and prepared for it. The military calls it *situation awareness*. It's nothing more than knowing when you are in potential danger.

During field day there are several dangers to be avoided.

Headache: When erecting antennas, be aware that if a rope lets go or something broke, you are not in a position to be struck by a falling piece of equipment. When hoisting equipment, use proper knots

or hitches. I believe these were covered in an earlier *Express*.

Electrocution: See that all line voltage cables and connections are in good order.

Burns: Be very careful refueling generators. If spilled fuel ignites, you will be severely burned, possibly fatally.

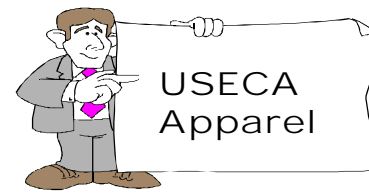
Insect bites: Usually these are just an annoyance, but if you are in an area where ticks are present, it could be more dangerous. Bring some insect repellent and a couple of band-aids for minor scratches.

I would like to see every club setup a first aid station on field day. How many of the participants know where the nearest help would be in case of a serious injury?

Now that you are aware of what might happen, go out and ENJOY YOURSELVES!

USECA VE Testing

Testing will be the FIRST Thursday of the month from September through June. Joe, N8OZ will have the CVE duty. No pre-registration is needed or wanted. Test Fee is \$14.00. Applicants need copies and originals of CSCE's and/or license. There is no copy machine at the Elks; (there is none close by). Starting time is 7:00 p.m. — please do not arrive earlier. Walk-ins are welcomed. Test site is at the Mt. Clemens Elks, 179 S. Main St., Mt. Clemens. If testing, you must have the following: picture ID (or birth certificate); and a copy of your current license or completion certificates, if any.



Jackets—\$45.00 • Sweatshirts—\$25.00
 Polo Shirts—\$22.00 • Caps—\$6.00
 (2X & 3X—Additional Charge)
Contact: Chuck, N8ZA
At Meetings or Phone (586) 557-4983

The *USECA EXPRESS* is published monthly (except July and August), by the UTICA SHELBY EMERGENCY COMMUNICATION ASSOCIATION, INC., of Macomb County, Michigan. Club meetings are held on the second Tuesday of each month (except July and August), 7:30 p.m., local time, at the Elks Club, 179 S. Main (between Church and Robertson), Mt. Clemens, Michigan. *Visitors are always welcome.* Articles for the *EXPRESS* should be submitted to the editor no later than the night of the club meeting for publication in the following month's edition. **The articles within are those of the author and not necessarily endorsed by USECA.** Material contained in the *EXPRESS* may be reprinted provided credit is given to the *USECA EXPRESS* and the author, except material published by permission of a copyright holder. The awards for "Excellent" (1994) and four times "Superior" (1995, 1996, 1997 and 1998) were received from ARNS (Amateur Radio News Service). [Note: ARNS has disbanded.]

Meeting Minutes—From Page 4

Scott, WN1B stated that the test station worked out well last year and proposes that we do it again. Jim, W1IK also encourages members to do their part and assist in this very important event. This is our major fundraiser that keeps the club afloat.

ARRL: Phil, W8IC requested that someone else take over this position. Dave, W8RIT volunteered to accept the position, thanks, Dave. Dave reported on a few recent issues, such as BPL.

Field Day: Phil, W8IC discussed this year's rules, and presented a poster board listing the positions available. He encouraged hams to sign up for special tasks to gain extra bonus points.

Club Liaison: Mike, N5WCS reported on upcoming events, see list elsewhere in this issue. Mike is looking for a volunteer to take over his position in the fall.

Health & Welfare: Walt, WB8E reported on ailing members. Fortunately, Bill, WA8JPR is feeling better and attended the meeting. Best wishes for a speedy recovery to Phil, WB8FUI. Mary, KC8IAP also has had some health problems recently and the club wishes her a very speedy recovery.

USECA badges: see Steve, KD8ARL.

USECA apparel: see Chuck N8ZA.

Walk-America report by Dennis, W8DFG. Dennis thanked the 15 hams that volunteered. There were 1300 walkers, and \$225,000 was raised.

Field Day kitchen: Dennis listed the menu that is planned. There will be 6 meals provided, starting with Friday night dinner. If you work in some capacity at field day, the meals are free. Otherwise, a nominal fee will be charged. He has tins available, and requested that you bring a COLD pass-a-dish for the Saturday night feast. Dennis made a motion that an amount not to exceed \$1900 be allocated for field day expenses, seconded by Eric, N8CTQ, motion carried.

Pre-field day – to be hosted by Ken, N8KC and Denise, KC8IPF.

Jim, W1IK stated that the USECA Express will now be available for anyone to read on our website, membership not required. Please inform your friends in other clubs that they can access our newsletters.

T-shirts: Jim, W1IK displayed two examples of this year's field day shirts. They are available for ordering on our website at the Café Press.

Old Business

Dave, W8RIT reported on the recent Michigan QSO party, a big success. Thanks to those who participated, and thanks, Dave, for running the event.

Scott, WN1B made a motion to allocate \$2800 for the construction of 5 link sites, 2nd by Rich, K8PJQ. This will provide us with modern, state-of the art equipment, including new antennas. Discussion. Motion carried.

Larry, KI8HJ mentioned that June is the last chance to take the Amateur Radio Emergency Communications Level One course and be reimbursed for it. Contact Ann Marie, K8AMR if you are interested: k8amr@arrl.net.

Dave, W8RIT requests that hams interested in the June VHF-UHF QSO party contact him.

Jim, W1IK announced that June's meeting will be brief, followed by our annual foxhunt.

Floyd, W8RO thanks members who have donated spare parts to the tech committee. Scott showed off a couple of items.

The business portion of the meeting concluded at 9:00 PM

The program was presented by Phil, W8IC, and Floyd, W8RO on transmitter hunting.

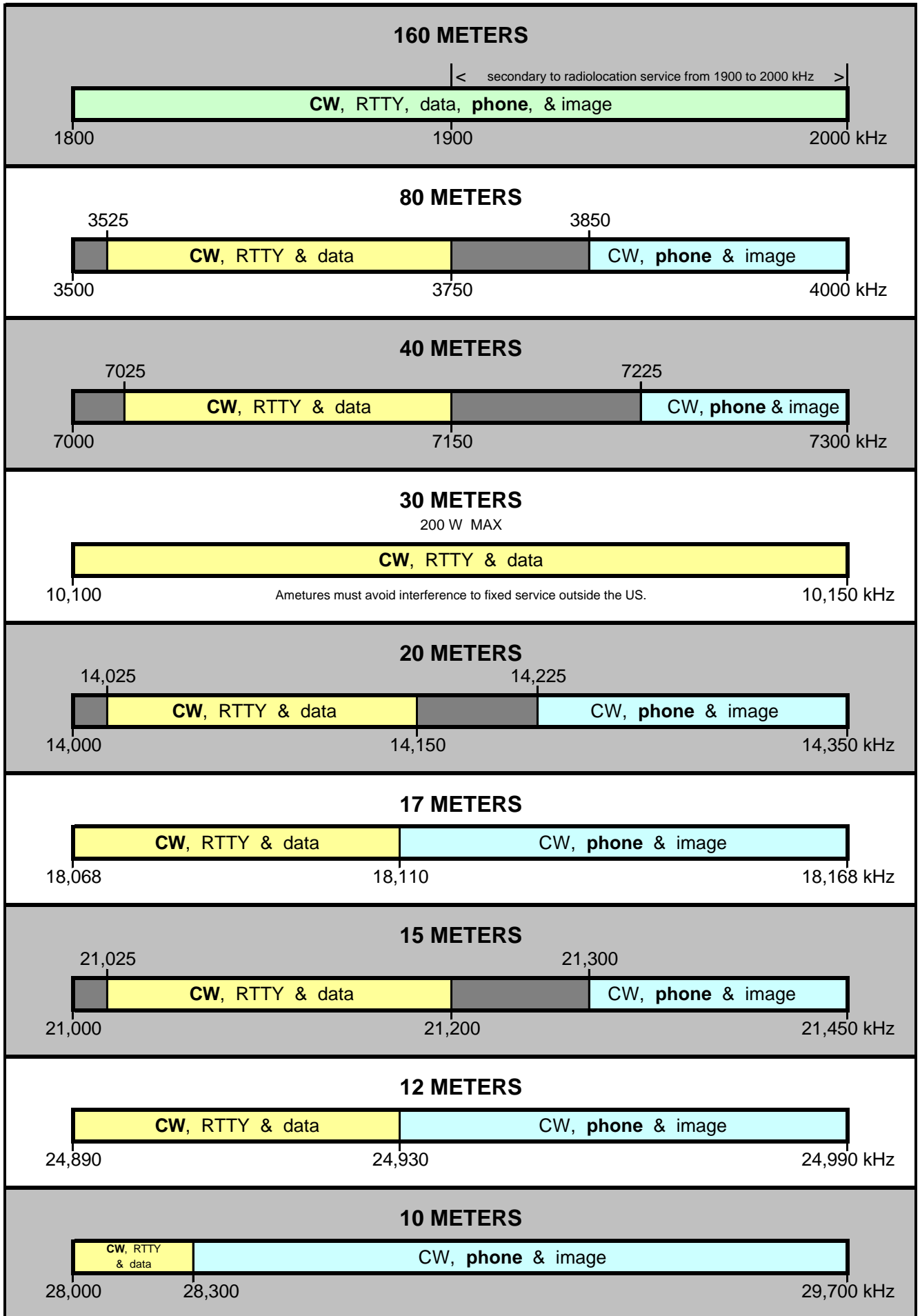
Respectfully submitted,
Ann Manor, KT8F, Recording Secretary.

2005 Field Day Shirts

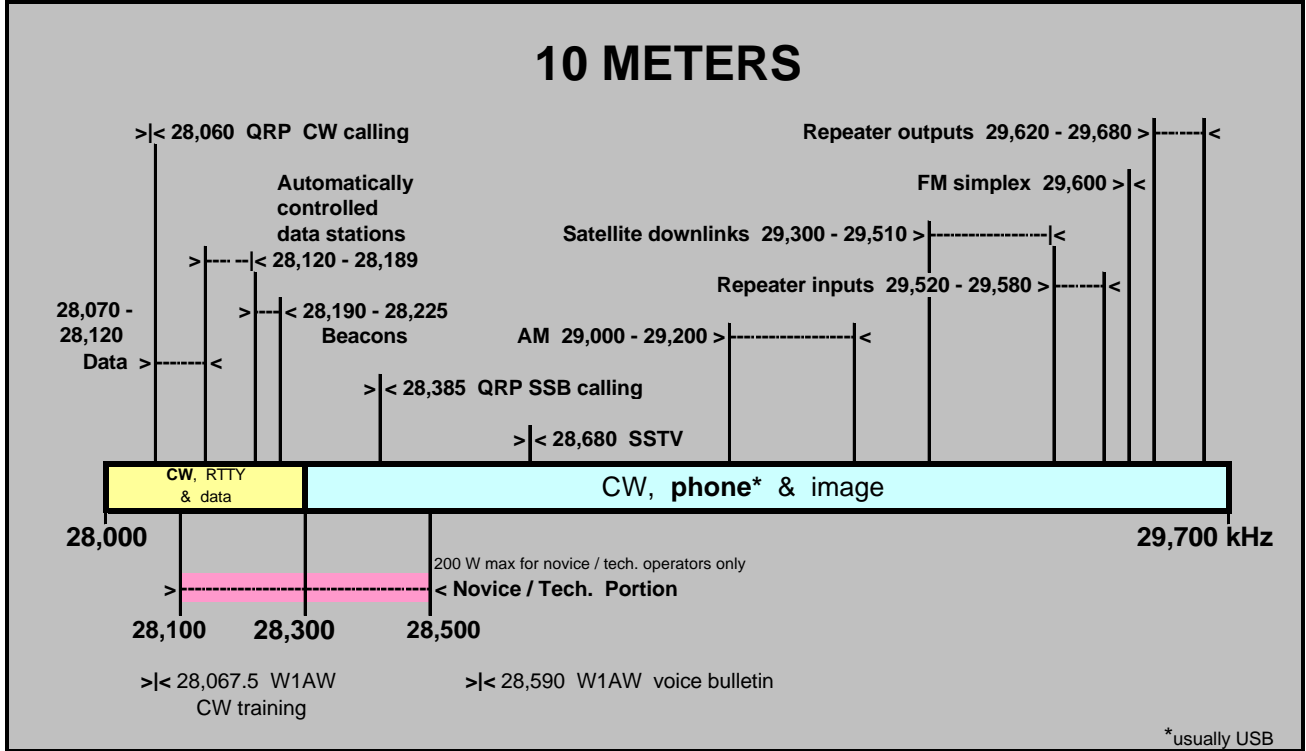
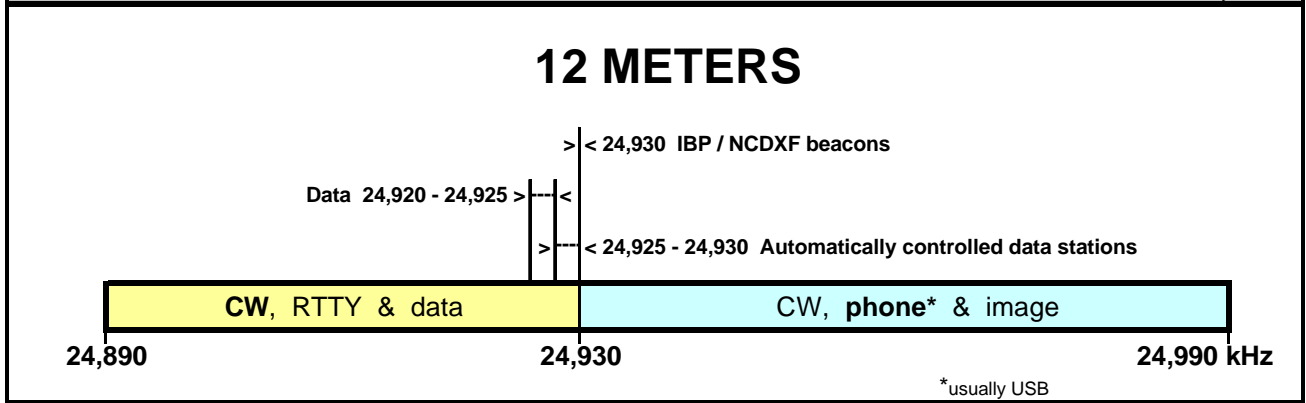
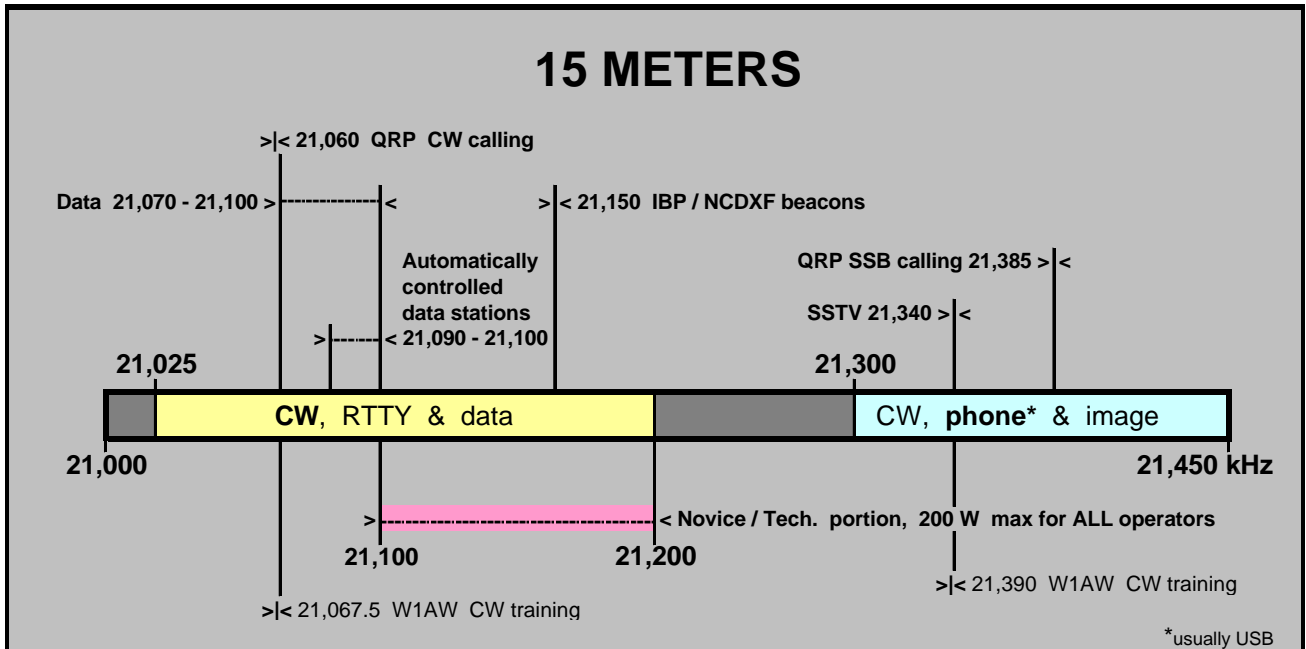
The 2005 USECA Field Day shirts will be available *exclusively* from the USECA Field Day Store at <http://www.cafepress.com/usecafd.10509288>, which can be linked to from the USECA main website—simply go to <http://www.useca.net>, click on the USECA Stores link, and select USECA Field Day Shop. There will be **golf shirts, baseball jerseys** and **tee shirts** available, shipped directly to your door in plenty of time for Field Day!

US Amateur Bands

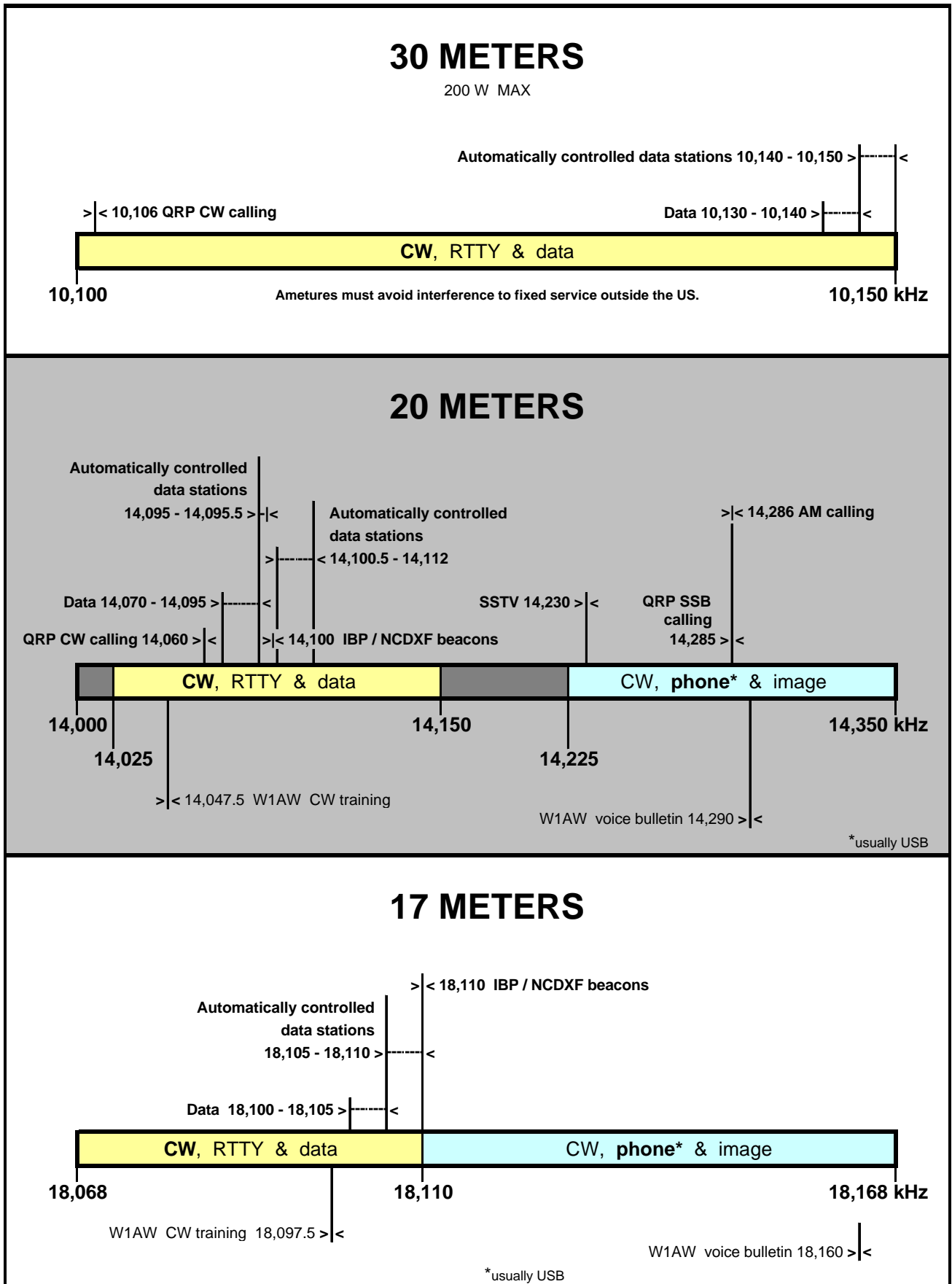
HF privileges for **GENERAL** class operators



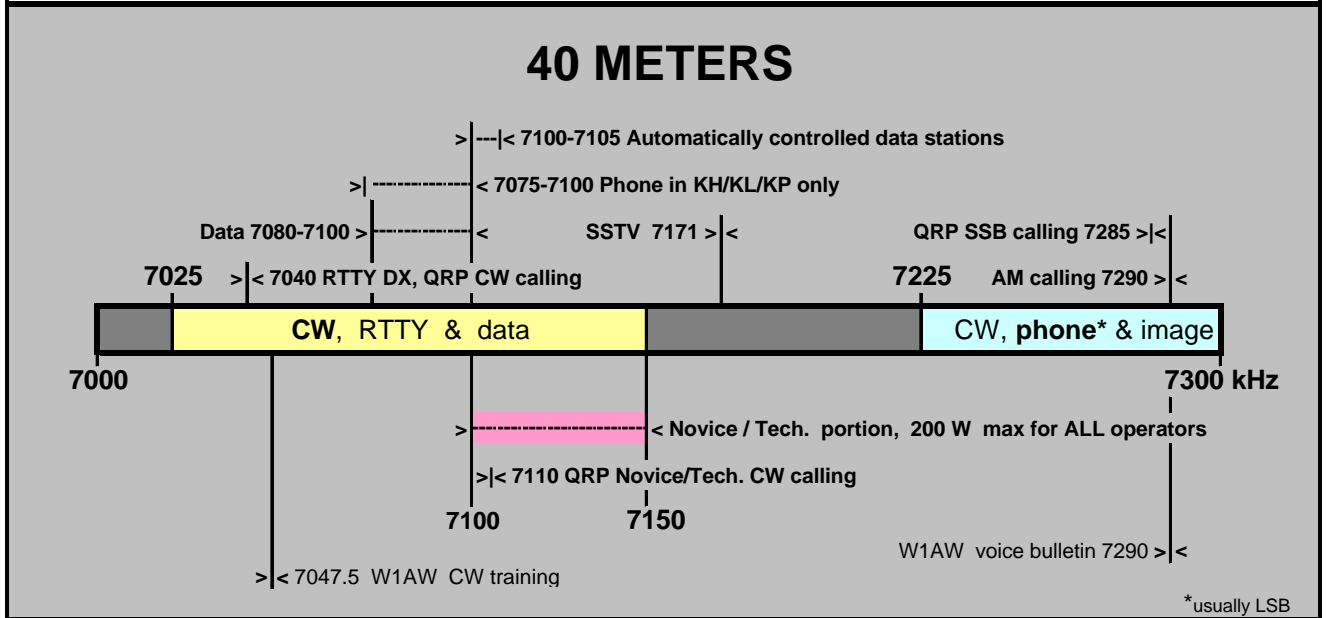
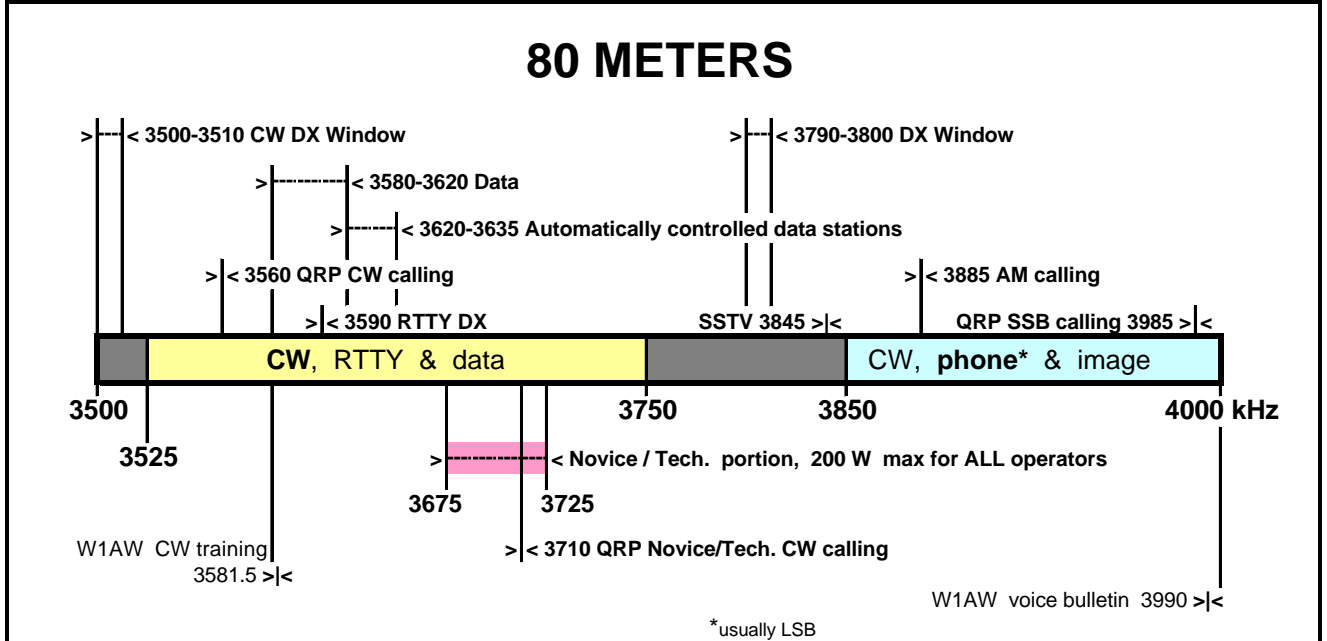
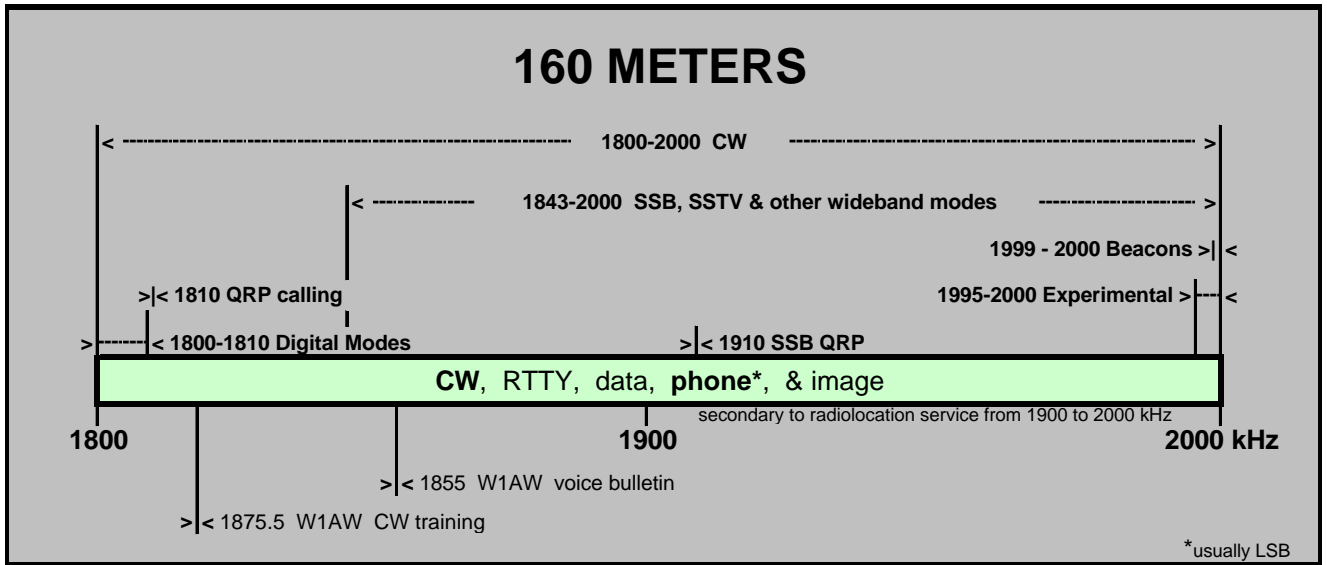
The "Considerate Operator's Frequency Guide"



The "Considerate Operator's Frequency Guide"



The "Considerate Operator's Frequency Guide"



QRP in Puerto Rico—From Page 5

While in Puerto Rico we stayed in a first floor room with a patio area. I stretched out the 28 feet of wire across the patio floor over a short wall railing into a bush that was about 5 feet tall. I took the counter poise through the door wall into the room and laid it on the floor. That was my entire antenna system. Day one, early in the morning about 6 am I am up and ready to set up the station. In a matter of minutes it is all ready to go. Using the KX1 with earphones is a very quiet radio setup. No one knows and no one hears what you are doing, so it makes it quiet for my wife who likes to sleep in a little more than me.

The first station I worked was WA4PXP, Jim in Charlotte, NC. Jim was interested in my KX1 and was not familiar with it. Once I sent him an email and a photo he was full of questions and asked if I could set up a schedule the next morning because he wanted to work me on all the bands that my radio was capable of operating on. Jim was amazed that a couple of AA batteries and an antenna practically on the ground was a clear 559 signal into Charlotte from KP4 land. I went looking for stations just ending a contact or calling CQ. I did however call CQ once and a station from Wisconsin called me. I also worked Florida, Massachusetts, Michigan, and Cuba. I find operating QRP more rewarding calling others rather than trying to call CQ with a weak signal. After 40 years of hamming I am still enjoying using amateur radio with a few watts of power and operating CW. Forty years of operating has taught me that being a good listener is the most important aspect of enjoying this hobby. It is hard to explain but I can tell from my side of the radio who is going to answer me just by listening to the other stations operating habits and how they communicate with other stations. I think part of it is my experience from contesting and 40 years of thousands of contacts. It is like a sixth sense I have for my ear on the band.

QRP can be a great deal of enjoyment. A little patience and good listening skills will bring you hours of enjoyment. Give it try. Sharpen your operating skills and just have some fun.

Doug, KP4/K8DK

**DXing in St. Lucia**—From Page 5

I had permission by the hotel to put up the antenna. Someone forgot to tell the ground maintenance people that I installed the antenna. I mentioned to the hotel management to tell the maintenance department what I was doing. I didn't want any break down in communications between the hotel staff. The message didn't make it because someone in the maintenance department took it down and took it apart. The ground crew came around trimming trees and bushes and found my wire. They had no idea what it was so they took it down when I wasn't around. Thus ended my operations 36 hours earlier than expected. I did make 35 contacts. I made contacts with three countries and eighteen states. Although the numbers aren't impressive, it was a lot of fun having the experience. If you ever get the opportunity to take a rig with you on vacation, it is lots of fun going through the process.

It was a good learning experience to see what it is like operating the radio in another country. I do suggest however plan early. It is a good idea to have a license in your hand while going through customs. I tried to do this ahead of time but the office in St. Lucia didn't reply to my request in time. I took the chance and took the equipment with me, hoping to get permission when I arrived. It worked in my case.

Doug, K8DK, KG8F

**Field Day 2005**—From Page 1

Please bring your pass-a-dish in disposable pans, as Tupperware may get lost. The pass-a-dishes need to be cold (salads, vegetables, fruit, etc.), as we have no way to heat your offering. We do have a refrigerated truck to keep food cold.

On Sunday, breakfast and lunch will be served. The contest ends at 2 PM. Help will certainly be needed again at this time. Tower take down, kitchen wrap up and loading up equipment will take place. Bodies are required to accomplish all this. After the work is done, many of us like to sit around for a while, relax and talk about how the whole adventure went.

I still have station chair openings on many bands, and a few special bonus point jobs that can be done. I will have the sign up chart at the June meeting. Look it over and take a station or a bonus point task, or find someone who has a station and ask if you can be part of their team. Bring a tent or a camper and stay the weekend. If you are a Boy Scout Leader, or similar group leader, organize a camp out. We can put the boys to work, no problem. The more participation we have, the more fun we have, and the higher our score will be. Hope to see you there!

73, Phil, W8IC (586) 751-3893

USECA Cork Board

? Radio Items?

ALS 600 Solid State Base Amp. No tune 1.5 to 22 MHz. List \$1129.99; sell for \$1000. (Page 86 in AES catalog) Contact Jerry, K8CFY at: k8cfy@k8uo.com.

ICOM Sound Card Interface. It's the kit of parts and circuit board to build the audio interface. About 95 percent of the parts are with it, it does not come in a kit. I ordered the parts from about three different sources. I did NOT order the case. I have well over \$100.00 in the parts and board, I do not need it anymore. Asking \$50. Contact Dan, WA8GQL at: radiodan@comcast.net.

MFJ-713, 2 meter HT intermod filter. Like to run your HT mobile but can't stand the intermod? This thing really works. \$40. KC8LOC, Tom, h (248) 542-3340; wrk: (586) 576-3314 or email: kc8loc@yahoo.com.

KENWOOD Linear Amp. 1000 watts, model TL-922A; 160-15 meters; \$1000.

General Radio Freq. Measuring Equipment; 2-6' cabinets; w/all frequency equipment; w/manuals; lots of electronics; \$250.

HEATHKIT Transceiver model HW-16; w/manual. 80-40 & 15 meters; no crystals; \$35.

HEATHKIT SWL radio model GR-81; 160-80-40-20 meters; w/manual \$50.

Contact K8LJM, Jose; (586) 792-4602.

PV-7 all-band vertical antenna. Cost \$65.00 First \$25.00 takes it.

Tri-Magmount \$20.00. Contact Dick Arnold 586-791-3595 or email af8x@arri.net. [See pictures on this page.]

★WANTED: Motorola Expo batteries in GWO. Contact Floyd, W8RO at (248) 431-7769 or w8ro@k8uo.com

? Miscellaneous Items?

CHEVROLET, 2003 Trailblazer 4WD (W8RO/M). Excellent condition, loaded. Sandlewood exterior, Tan interior. 29K miles. Only \$22,900! For more details, contact Floyd, W8RO at (248) 431-7769 or w8ro@k8uo.com.

IMATION SuperDisk 120MB Parallel Port Drive. Will trade for anything for which I can find a use. Dick Arnold (586) 791 3595.

★FREE! To a good home: Epson Apex L-1000 Dot Matrix Printer (24 pin). Very good condition with manuals and drivers! Contact Floyd, W8RO at (248) 431-7769 or w8ro@k8uo.com.

★MOTOR HOME, 1978, 27 foot. 58 K miles. Dodge chassis 440 engine. Runs well. Used at last 5 USECA Field Days. New tires and dual exhaust system. 4 kw generator, hot and cold water system, full bathroom, color TV, microwave, air conditioning. Refrigerator/freezer works on propane. Sleeps 6. \$2000 firm. Phil, W8IC (586) 751-3893.

SNAP-ON KR1100 upper tool chest, very large (l-53", w-22", h-18", fits KRL1000 roll cabinet, 9 roller bearing drawers, would make nice bench top box \$1000. KC8LOC, Tom, home: (248) 542-3340; work: (586) 576-3314 or email: kc8loc@yahoo.com.

★SONOR Snare Drum. Brand New! 13" X 5" steel snare drum with vintage Ludwig snare drum stand and drum sticks included! Only \$95! Contact Floyd, W8RO at (248) 431-7769 or w8ro@k8uo.com.

TOSHIBA Laptop computer 486 Satellite with Canon Jet Printer. \$130. Hewlett-Packard Color Printer Deskjet 560C. \$35. Bapco safety analyzer 120v to 220v test for ground on any product. \$125. Sony car stereo, AM/FM cassette with Sony CD 10 Disc Changer \$140. KC8QIC, Denny, (586) 268-7417.

★TRU-CHEK Rain Gauge. "World's best rain gauge." Slightly used and still in box with unused mounting bracket. \$15 Contact Floyd, W8RO at (248) 431-7769 or w8ro@k8uo.com.

FOR SALE

American Electrola DXC-100 – rare tabletop radio only 2000 made, all solid state, American made with American components, allegedly the last SWL USA-made radio actually made in the USA, HF receiver to 30 MHz, AM/FM/SW, digital display, direct entry keypad, wooden case, front firing speaker, large internal wire loop antenna, long telescopic antenna, ext. jack, power supply, original owners manual; \$125-.

KENWOOD R2000 – Short-wave HF receiver, covers all HF-broadcast-ham-CB-marine bands, receives all popular modes AM/FM/CW/SSB, 150 kHz to 30 MHz, built in power supply or can run on external 12VDC, have box, owners manual, service manual; \$325- obo or trade?

MFJ MFJ-956 – tuner, two knobs, 2 SO-239's; \$24-.

Motorola 5Y – actually made by Galvin Mfg Co. in 1937, no case, large Motorola speaker, very dusty, functional condition unknown, \$FREE.

Yaesu MH-34 – Speaker mic for Yaesu HT's, single pin 4-conductor style, rotatable lapel clip, like new; \$20.

Kenwood SMC-33 – Speaker-mic for Kenwood HT's, two-pin style, right angle connector, has the three programmable buttons across the top, lock switch on the back, rotatable lapel clip; \$45.

Computer Speakers – amplified pc speakers, used only 10 minutes; \$5-.

Archer 15-1113 – UHF/VHF/FM pre-amp, 110V; \$10.

CB Antenna – about 26" long, base loaded, base load is tunable w/2 adjustment rings, 3/8" style mount; \$5.

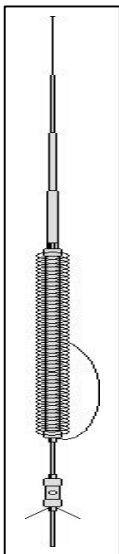
Cell Phone Mobile Power Cord – for cell phone with 4.8V battery, DC coaxial plug on phone end; \$5.

Power Supply – switching PS, 12-15 VDC, 16A, works, you wire it up; \$25.

Duckies – UHF duck about 6" with BNC, \$5; dual band 2M/440 "Icom" style about 6" with BNC, \$15; 11 Meter black rubber duck with right angle PL259, \$5.

K-40 10/11M Whip – 4' fiberglass, black, tunable, substitute for original K-40 stainless whip & base load, no mount or coax just the antenna; \$4.

Contact Arpad, WY8M at: wy8m@arri.net or (586) 751-3804 or 147.180 MHz+ 100 Hz PL.



PV-7



Tri-Magmount

★New or changed this month.
 Please notify the editor to have item(s) added and/or removed.
 This Cork Board is for club members only and it's free!

USECA APPLICATION



DATE _____ NEW RENEWAL
 CALL _____ CLASS _____ AUTO-PATCH _____
 NAME _____
 STREET ADDRESS _____
 CITY _____ STATE _____ ZIP _____
 TELEPHONE # _____ PRINT # IN ROSTER YES NO
 BIRTHDATE _____ EMAIL ADDRESS _____
 MEMBER: ARRL YES NO RACES YES NO

Rev. 3/04

FOR FAMILY MEMBERSHIPS ONLY:

CALL _____ CLASS _____
 NAME _____
 BIRTHDATE _____
 MEMBER: ARRL YES NO
 RACES YES NO

CALL _____ CLASS _____
 NAME _____
 BIRTHDATE _____
 MEMBER: ARRL YES NO
 RACES YES NO

Annual Membership Dues Regular: \$20 — Family: \$30 — Auto-Patch: \$35 (One Time Fee) + Annual Dues
 Applications can be given to the Membership Secretary at monthly meeting or mailed.
 Please make check payable to: **USECA** — Address: **P.O. Box 46331, Mt. Clemens, MI 48046**
 (Allow 4-6 weeks for processing.)

USECA reserves the right to accept or reject New or Renewal Memberships.

Local Area FM Nets

DAY	TIME	CLUB	FREQ.
SUN	1:00 pm	USECA/Information	147.180
SUN	7:00 pm	USECA/Youth	147.180
SUN	8:00 pm	USECA/Traders/Helpers	147.180
SUN	9:00 pm	HPARC/Info	146.640
SUN	9:00 pm	Garden City ARC	146.860
SUN-SAT	10:15 pm	S. E. Michigan Traffic Net	145.330
MON	7:30 pm	SATERN	147.180
MON	8:00 pm	MECA/Info	147.200
MON	8:00 pm	GMARC (PL 123)	443.075
MON	9:00 pm	USECA/Morse Code Class	147.180
TUE	9:00 pm	Motor City Radio Club	147.240
WED	9:00 pm	ARPSC/Info	145.490
THU	8:00 pm	RACES/ARES	147.200
THU	8:30 pm	LCARC/Info	147.080

VHF PL'S — 100 Hz

On The World Wide Web

USECA Home Page

WWW.USECA.NET

Local HF Nets

DAY	TIME	CLUB	FREQ.
MON	7:30 pm	LCARC/15 Meter CW	21.165
MON	9:00 pm	LCARC/15 Meter Phone USB	21.395
WED	7:00 pm	USECA/6 Meter Phone USB	50.150
THU	7:30 pm	LCARC/10 Meter Phone USB	28.435
THU	9:00 pm	USECA/15 Meter Slow CW	21.140
FRI	10:00 pm	USECA/80 Meter CW	3.720

Listings in **BOLD** are USECA club nets, but ALL ARE WELCOME!

Net Ops Schedules

2-METER NETS

	SUN. 1 PM	SUN. 8 PM**
WEEK	147.180 MHz	147.180 MHz
1	VA3IDJ	W1IK
2	KT8F	KC8WXF
3	-OPEN-	W8RIT
4	KW8Z	WN1B
5*	WB8E	KW8Z

*If applicable

**Traders/Helpers Net

NCO's—If you're unable to take your net please get a replacement or contact Brian, KC8DIR (586) 749-4561—Don't wait!

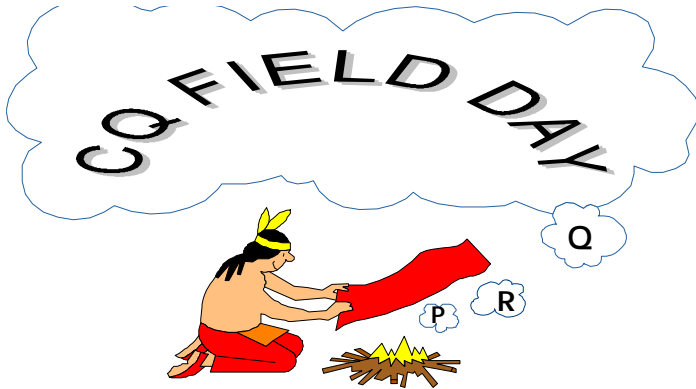
USECA

UTICA SHELBY EMERGENCY COMMUNICATION ASSOCIATION, INC.
P.O. Box 46331 • Mt. Clemens, MI 48046

ADDRESS SERVICE REQUESTED

POSTMASTER: DATED MATERIAL

PRESRT STD
U.S. POSTAGE
PAID
WARREN, MI
PERMIT NO. 289



JUNE 2005

"The Happenin' Club"

Club Activities

MONTH	DATE	TIME	EVENT
JUN	14	7:30 pm	General Meeting & Fox Hunt
JUN	24-26		Field Day 2005
SEP	13	7:30 pm	General Meeting
SEP	23-25		Campout—Algonac
OCT	11	7:30 pm	General Meeting
OCT	30	8:00 am	USECA 20th Annual Swap
NOV	8	7:30 pm	General Meeting (Nominations)
DEC	TBA		USECA 18th Annual Christmas Party
DEC	13	7:30 pm	General Meeting (Elections)

Name Badges

WITH THE OFFICIAL USECA LOGO
CONTACT LAURA — (586) 749-4561

Liaison Events

See Page 6